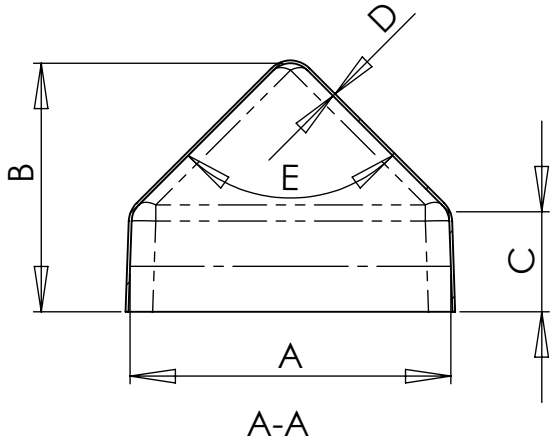
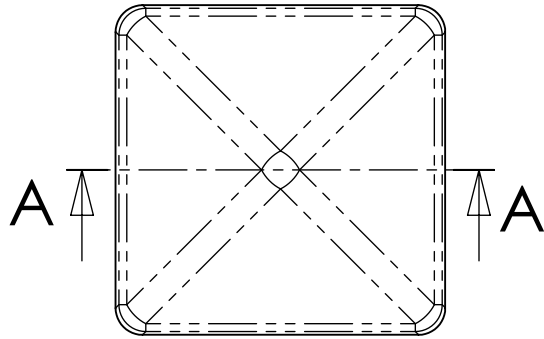


THE INFORMATION CONTAINED IN THIS DRAWING IS THE SOLE PROPERTY OF SAILING SPECIALTIES INC. ANY REPRODUCTION IN PART OR WHOLE WITHOUT THE WRITTEN PERMISSION OF SAILING SPECIALTIES INC. IS PROHIBITED.



A (in)	A (cm)	B (in)	C (in)	D (in)	E1	P/N WHT	P/N BLK
3.50	8.9 cm	3.00	1.41	.095	90	42-3.5*3.5	43-3.5*3.5
5.80	14.7 cm	4.80	2.30	.080	90	42-5.5*5.5	43-5.5*5.5
6.30	16.0 cm	4.60	2.00	.090	90	42-6*6	43-6*6
7.00	17.8 cm					-----	43-7*7
10.00	25.4 cm	5.60	2.10	.090	110	42-10*10	43-10*10
12.00	30.5 cm	5.60	2.37	.085	120	42-12*12	43-12*12
14.25	36.2 cm	6.60	2.70	.080	125	42-14*14	43-14*14
16.30	41.4 cm	6.50	2.50	.080	130	42-16*16	43-16*16
18.30	46.5 cm	9.00	3.00	.080	115	42-18*18	43-18*18
20.30	51.6 cm	10.00	3.00	.080	115	42-20*20	43-20*20

- Notes:
 1) All Dimensions Are In Inches
 2) All Dimensions Are To Sharp Corners
 3) All Sharp Corners Broken R.030 Unless Noted

**CAD GENERATED DRAWING,
DO NOT MANUALLY UPDATE**

PROTO PLATEN SIZE	COOLING?
PROD. SHEET SIZE	MALE/FEMALE MOLD?
PROD. PLATEN SIZE	PLUG/VACUUM BOX?
MOLD MATERIAL	FORM RATE

JIGS & FIXTURES			

ITEM NO.	PART OR IDENTIFYING NO.	NOMENCLATURE OR DESCRIPTION	MATERIAL SPECIFICATION	QTY REQD
PRODUCTION REVIEW DRAWING				
UNLESS OTHERWISE SPECIFIED DIMENSIONS ARE IN INCHES TOLERANCES ARE: FRACTIONS DECIMALS ANGLES + .XX+ .XX + 1		APPROVAL DRAWN CARDONA CHECKED KRIVITSKY PLANT MGR ADAMS GREIG PARKS FORMING LITTLETON ASSEMBLY SCHLEMON QUAL ENGR PARE SHIPPING WILLS	DATE 6/15/05	
Comp.	Thk.	Mat'l	Color	
	.170	LDPE		
FINISH	SM / SM			
DO NOT SCALE DRAWING		Last Printed	6/18/2009	

Sailing Specialties Inc.

Square Cone Piling Cap

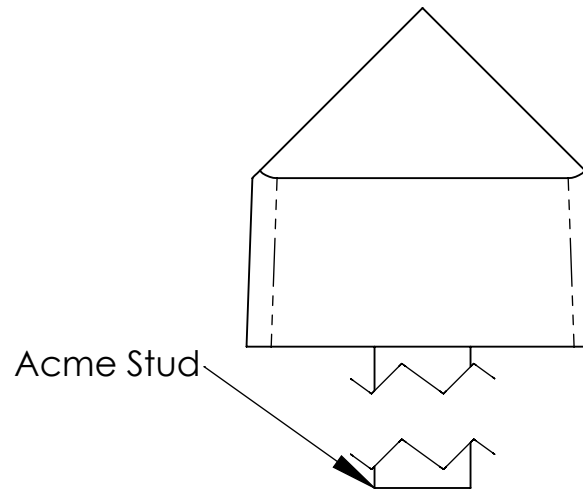
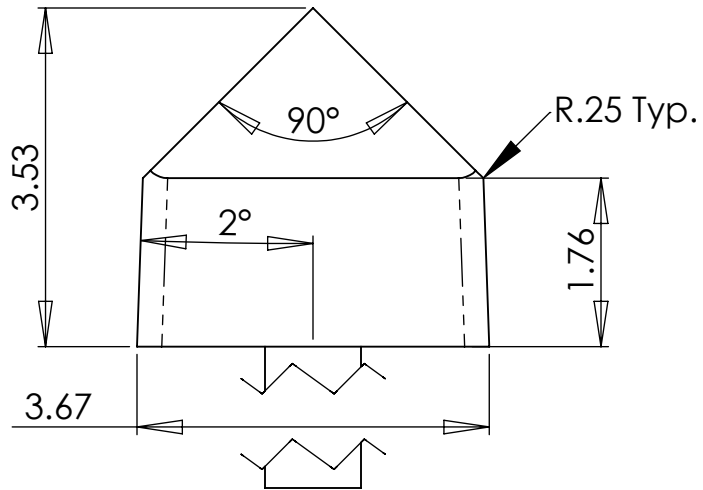
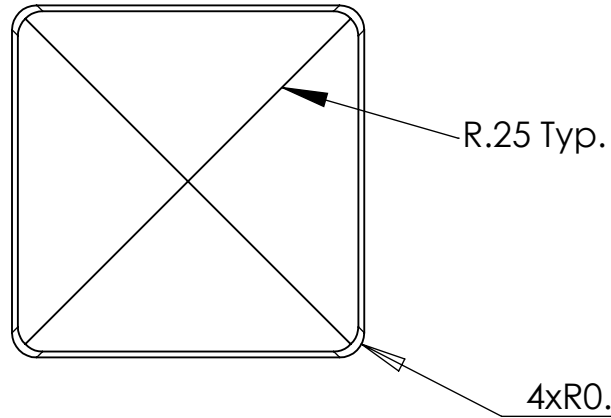
Chart

OUR PART NO. _____ REV. _____

SIZE A

CAD FILE: E:\DRAWINGS 2001\1351\Piling Caps\Square Cone\Square Cone

THE INFORMATION CONTAINED IN THIS DRAWING IS THE SOLE PROPERTY OF SAILING SPECIALTIES INC. ANY REPRODUCTION IN PART OR WHOLE WITHOUT THE WRITTEN PERMISSION OF SAILING SPECIALTIES INC. IS PROHIBITED.



- Notes:
 1) All Dimensions Are In Inches
 2) All Dimensions Are To Sharp Corners
 3) All Sharp Corners Broken R.030 Unless Noted

**CAD GENERATED DRAWING,
DO NOT MANUALLY UPDATE**

PROTO PLATEN SIZE	COOLING?
PROD. SHEET SIZE	MALE/FEMALE MOLD?
PROD. PLATEN SIZE	PLUG/VACUUM BOX?
MOLD MATERIAL	FORM RATE

JIGS & FIXTURES			

ITEM NO.	PART OR IDENTIFYING NO.	NOMENCLATURE OR DESCRIPTION	MATERIAL SPECIFICATION	QTY REQD
PRODUCTION REVIEW DRAWING				
UNLESS OTHERWISE SPECIFIED DIMENSIONS ARE IN INCHES TOLERANCES ARE: FRACTIONS DECIMALS ANGLES + .XX+ .XX + 1		APPROVAL DRAWN CARDONA CHECKED KRIVITSKY PLANT MGR ADAMS FORMING GREIG PARKS LITTLETON ASSEMBLY SCHLEMON QUAL ENGR PARE SHIPPING WILLS	DATE 6/15/05	
Comp.	Thk.	Mat'l	Color	
	.170	LDPE		
FINISH	SM / SM			
DO NOT SCALE DRAWING		Last Printed	6/18/2009	

Sailing Specialties Inc.

Square Cone Piling Cap

2-Mold 3.5x3.5

OUR PART NO.	REV.

CAD FILE: E:\DRAWINGS 2001\SSP\Piling Caps\Square Cone\Square Cone

