

3ST_ladder assembly_2 in..dwg

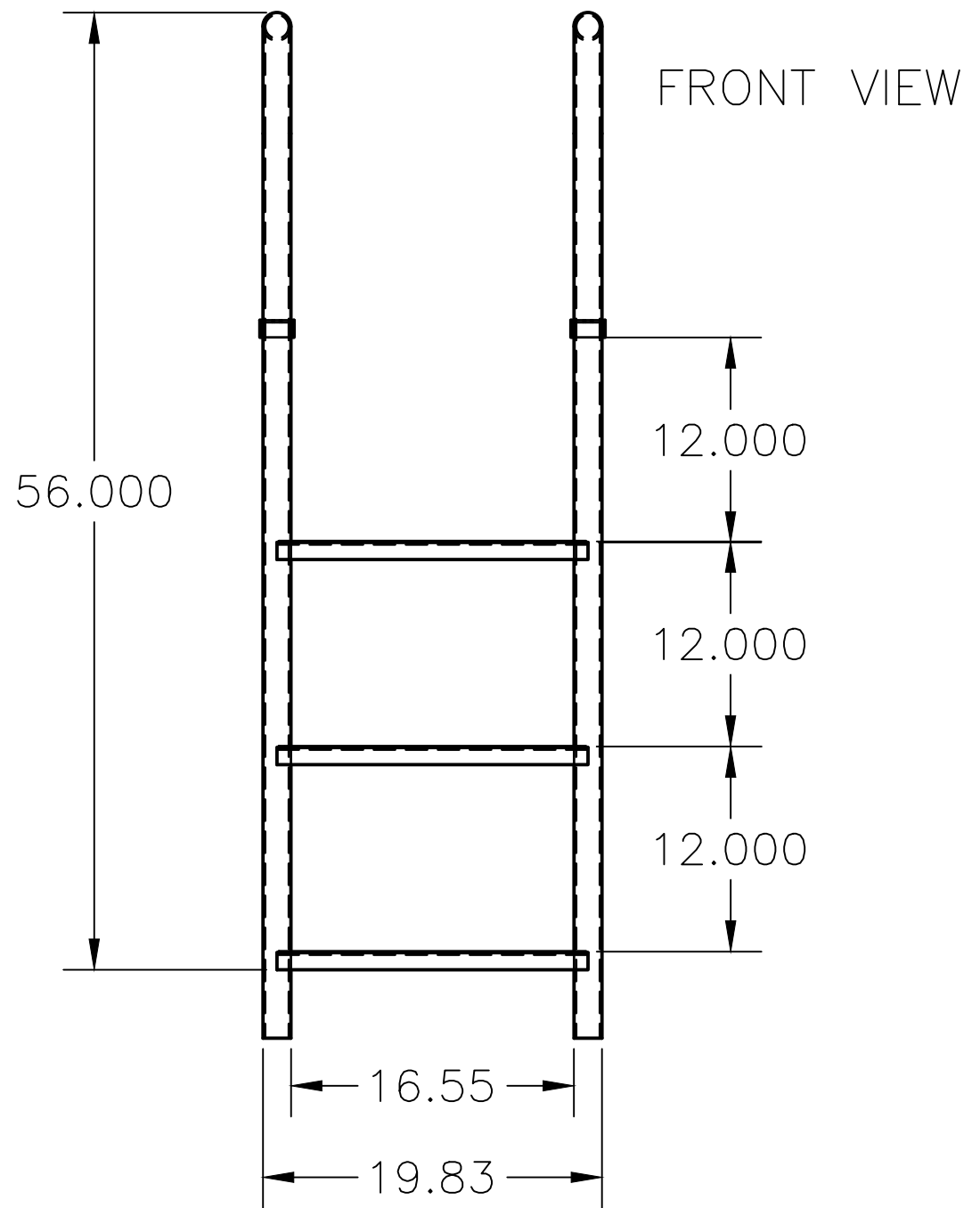
22.06.2023

Roman

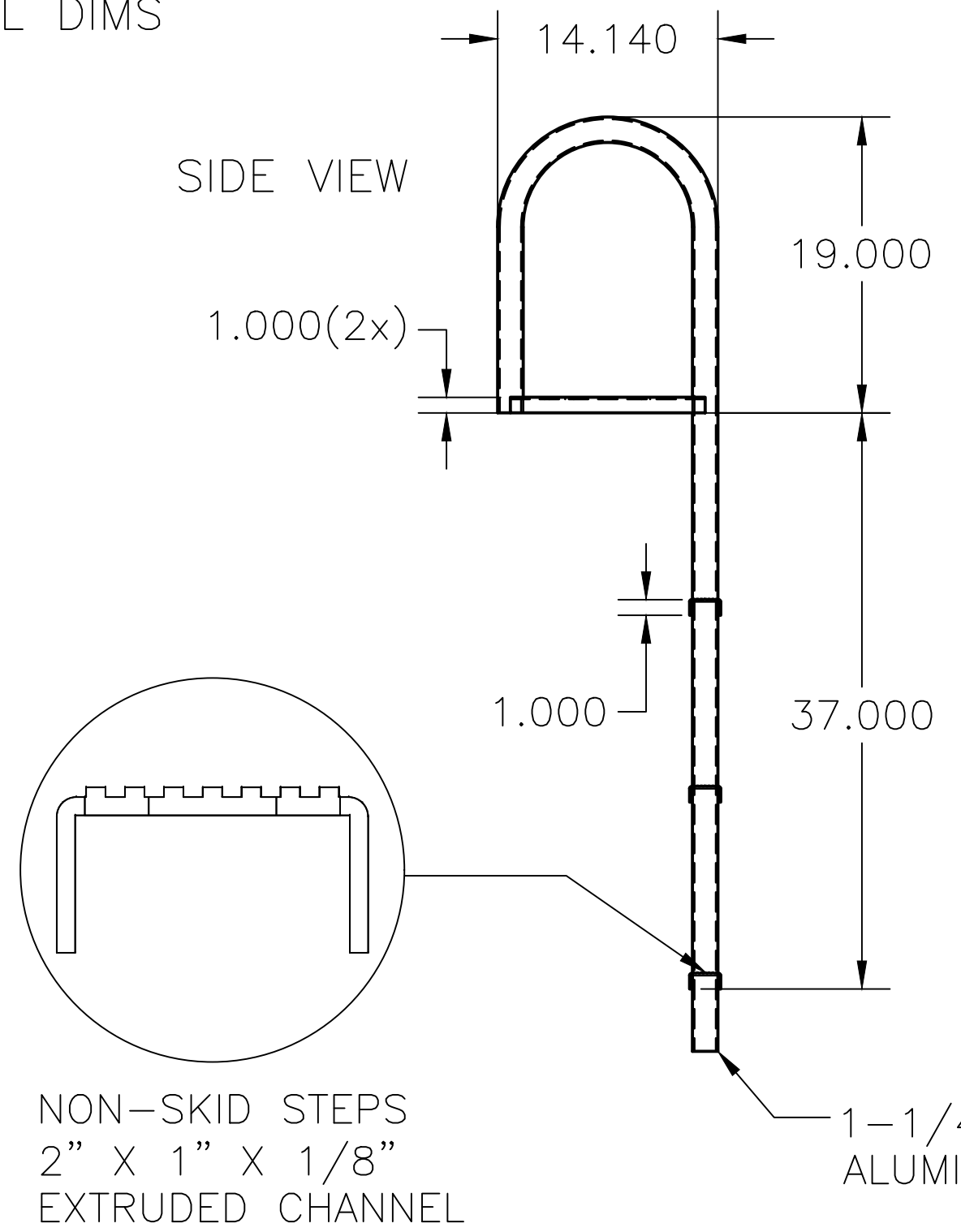
NOTES:

- 1. ALL UNITS ARE IN INCHES
- 2. MATERIAL AL 6063-T5
- 3. SEE INDIVIDUAL PART DRAWINGS FOR ADD'L DIMS

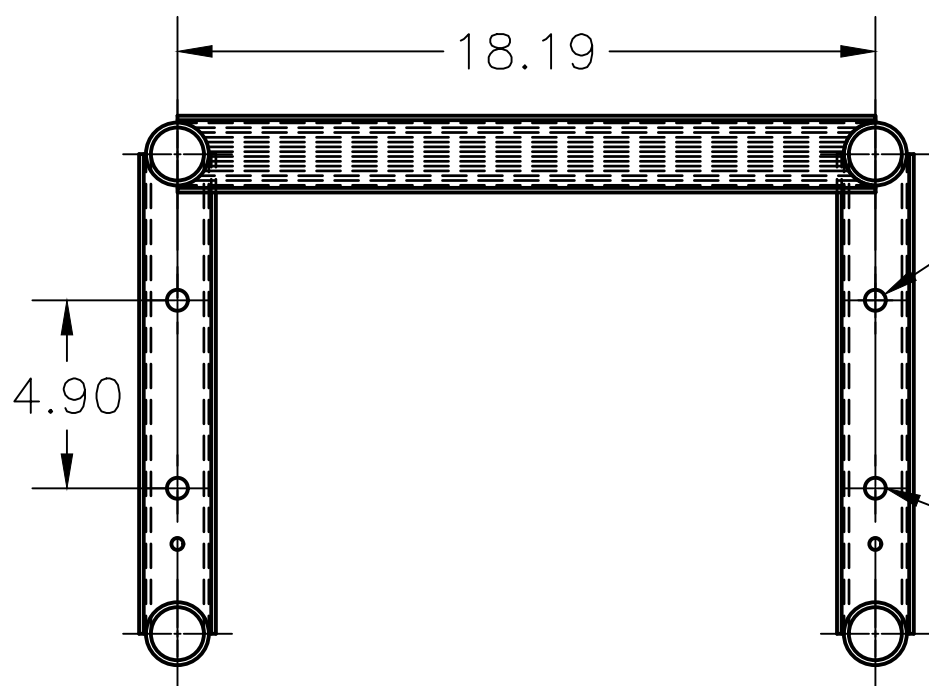
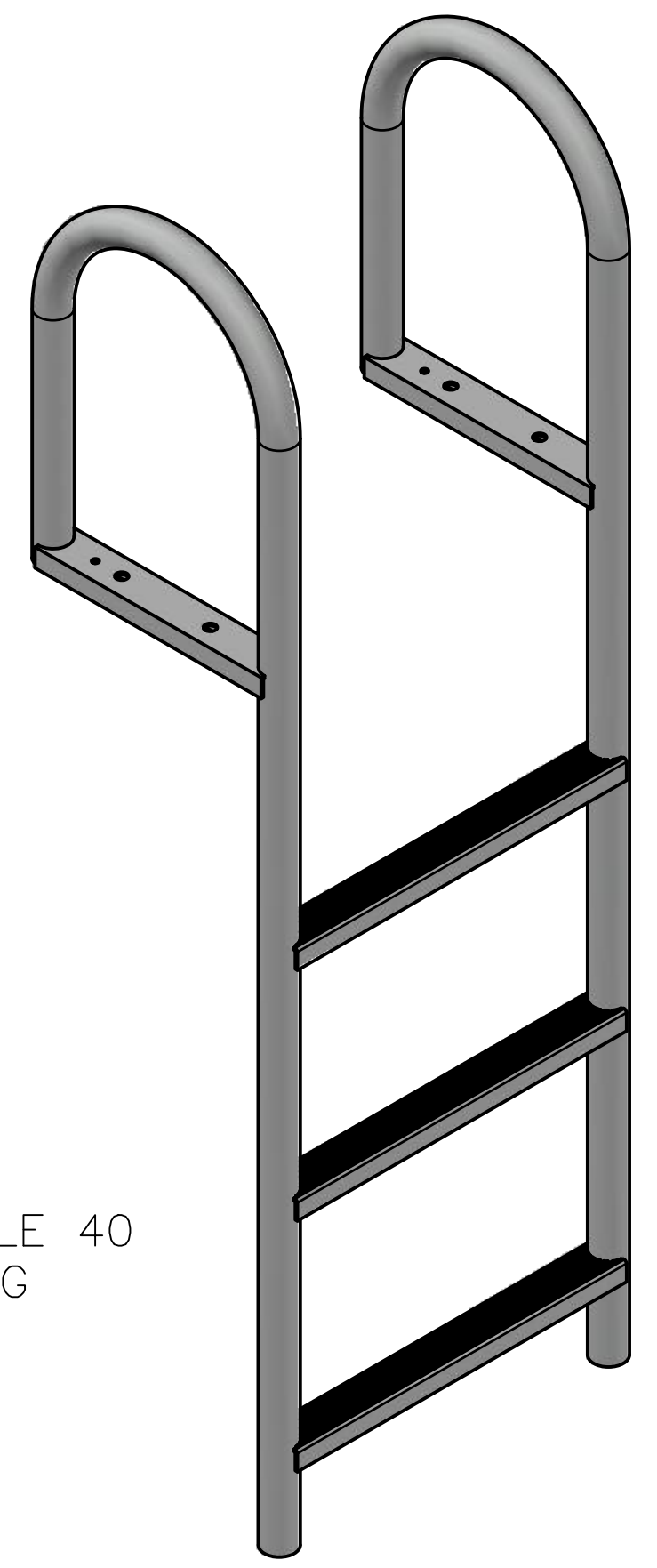
REVISIONS				
ZONE	REV	DESCRIPTION	DATE	APPROVED
NA	A	NEW RELEASE	6/15/2023	RK



SIDE VIEW



1-1/4" SCHEDULE 40 ALUMINUM TUBING



USE (4) 1/2" BOLTS TO ATTACH TO DOCK (BOLTS NOT SUPPLIED)

FILE NAME 3ST_ladder assembly_2 in..dwg				
CONTRACT NO NA				
DRAWN 6/22/2023				
CHECK				
APPR.				
ISSUED				
SIZE	FSCM NO	DWG NO	REV	
C	NA	3ST_ASSY_2_in - 001	A	
SCALE 1:1.001		WEIGHT	SHEET 1/1	

LADDER-STRAIGHT-3