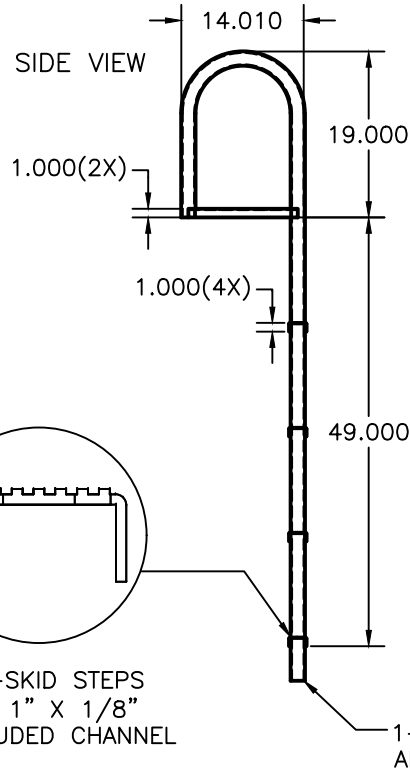
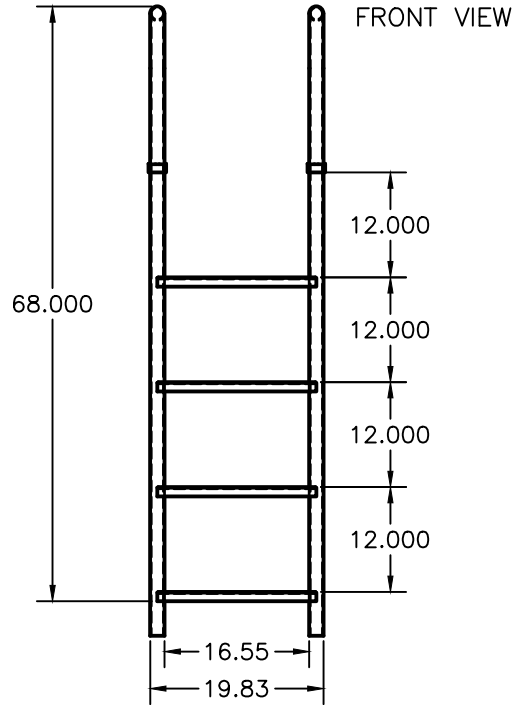


NOTES:

1. ALL UNITS ARE IN INCHES
2. MATERIAL AL 6063-T5
3. SEE INDIVIDUAL PART DRAWINGS FOR ADD'L DIMS

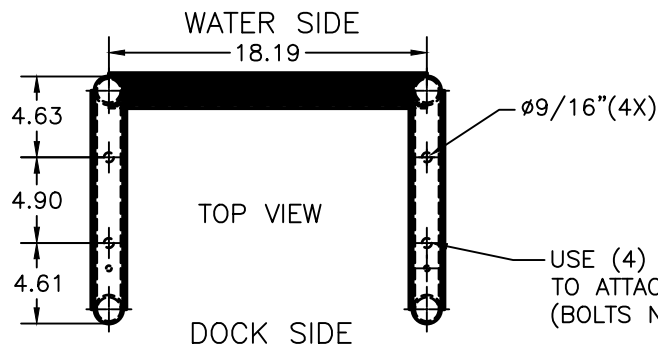
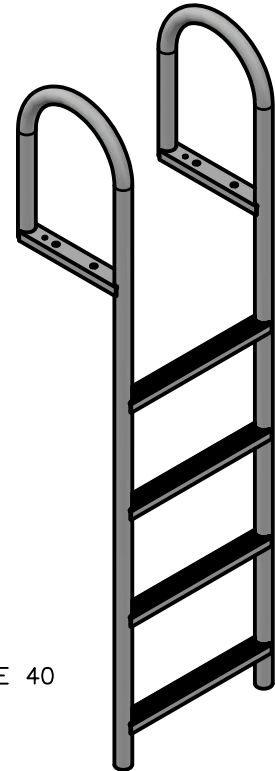
INTERNATIONAL DOCK PRODUCTS, INC.
 Pembroke Park, FL
DOCKPRODUCTS.COM

REVISIONS				
ZONE	REV	DESCRIPTION	DATE	APPROVED
NA	A	NEW RELEASE	6/26/2023	RK



NON-SKID STEPS
 2" X 1" X 1/8"
 EXTRUDED CHANNEL

1-1/4" SCHEDULE 40
 ALUMINUM TUBING



USE (4) 1/2" BOLTS
 TO ATTACH TO DOCK
 (BOLTS NOT SUPPLIED)

FILE NAME 4ST_ladder assembly_2 in.dwg			
CONTRACT NO NA			
DRAWN 6/23/2023			
CHECK			
APPR.			
ISSUED			
SIZE	FSCM NO	DWG NO	REV
C	NA	4ST_ASSY_2_in - 001	A
SCALE	1:2.197	WEIGHT	SHEET 1/1

LADDER-STRAIGHT-4

4ST_ladder assembly_2 in.dwg

06.07.2023

Roman