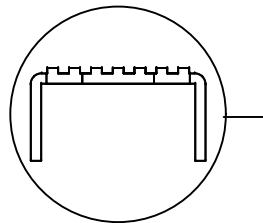
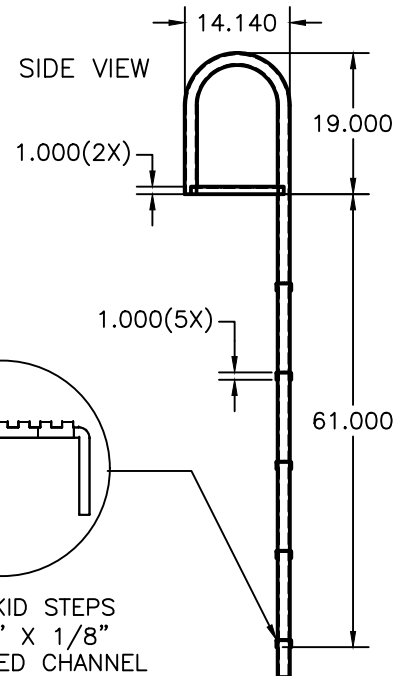
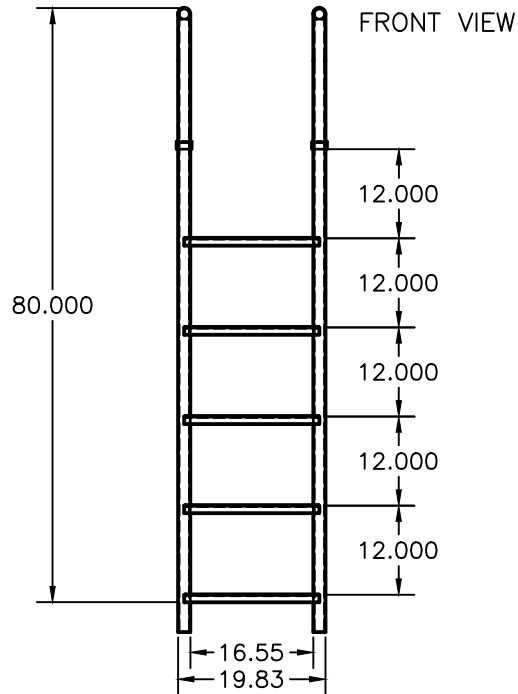


**NOTES:**

1. ALL UNITS ARE IN INCHES
2. MATERIAL AL 6063-T5
3. SEE INDIVIDUAL PART DRAWINGS FOR ADD'L DIMS

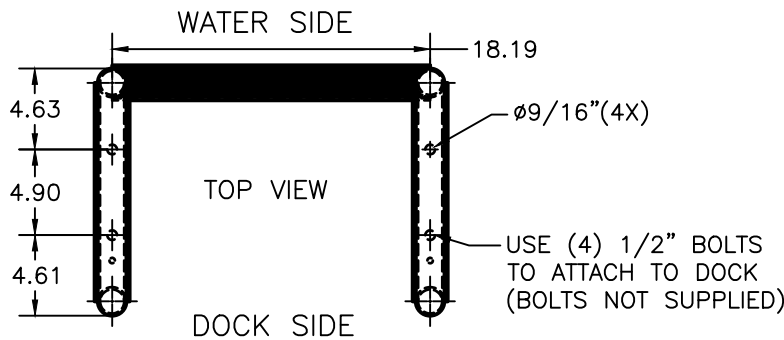
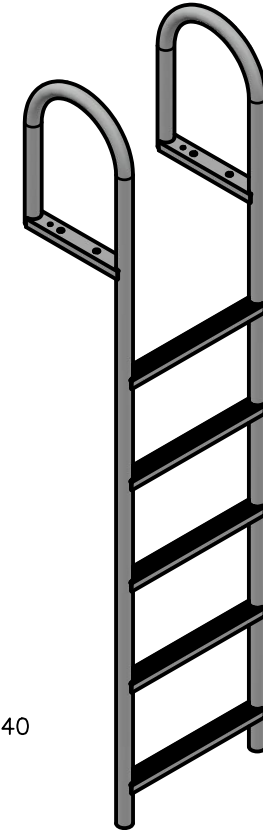
INTERNATIONAL DOCK PRODUCTS, INC.  
 Pembroke Park, FL  
[DOCKPRODUCTS.COM](http://DOCKPRODUCTS.COM)

REVISIONS				
ZONE	REV	DESCRIPTION	DATE	APPROVED
NA	A	NEW RELEASE	6/28/2023	RK



NON-SKID STEPS  
 2" X 1" X 1/8"  
 EXTRUDED CHANNEL

1-1/4" SCHEDULE 40  
 ALUMINUM TUBING



USE (4) 1/2" BOLTS  
 TO ATTACH TO DOCK  
 (BOLTS NOT SUPPLIED)

WATER SIDE

DOCK SIDE

FILE NAME 5ST_ladder assembly_2 in.dwg					
CONTRACT NO NA		<b>LADDER-STRAIGHT-5</b>			
DRAWN 6/22/2023					
CHECK					
APPR.					
ISSUED		SIZE C	FSCM NO NA	DWG NO 5ST_ASSY_2_in - 001	REV A
SCALE 1:2.197		WEIGHT		SHEET 1/1	

5ST\_ladder assembly\_2 in.dwg

06.07.2023

Roman