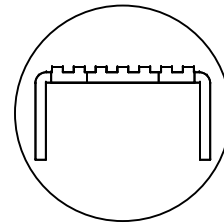
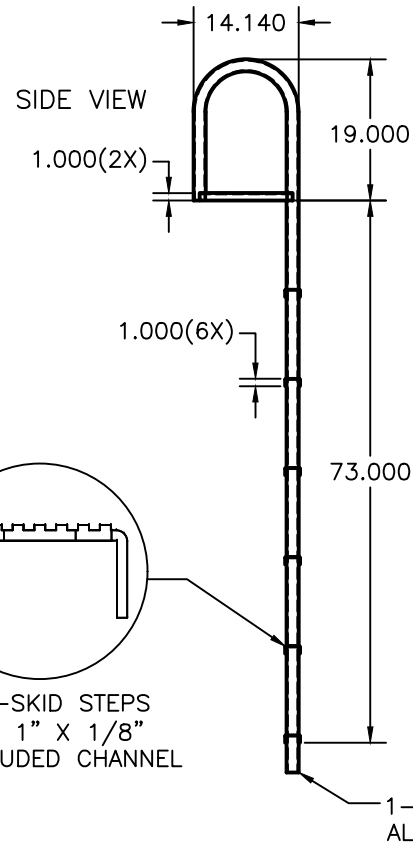
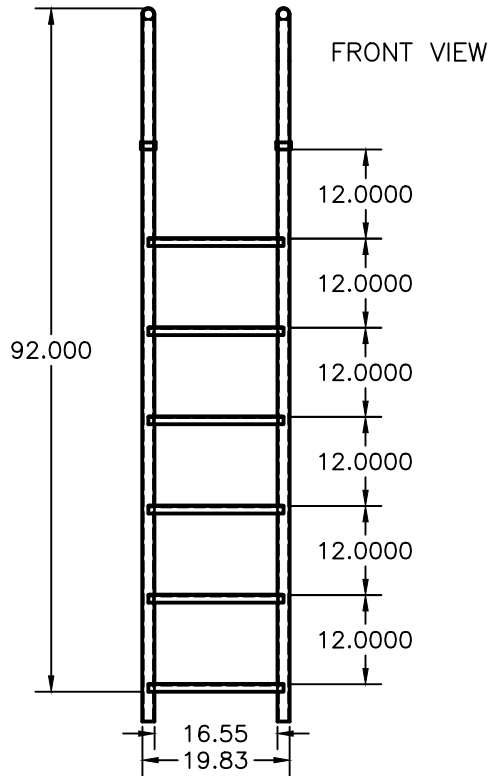


NOTES:

1. ALL UNITS ARE IN INCHES
2. MATERIAL AL 6063-T5
3. SEE INDIVIDUAL PART DRAWINGS FOR ADD'L DIMS

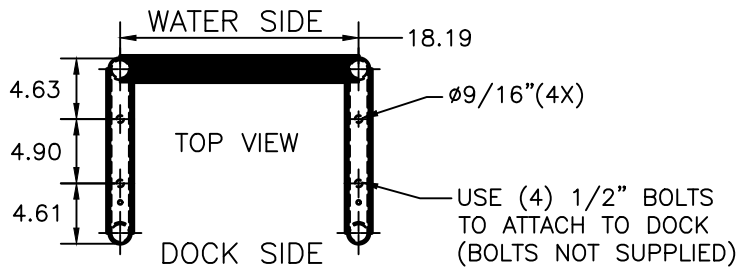
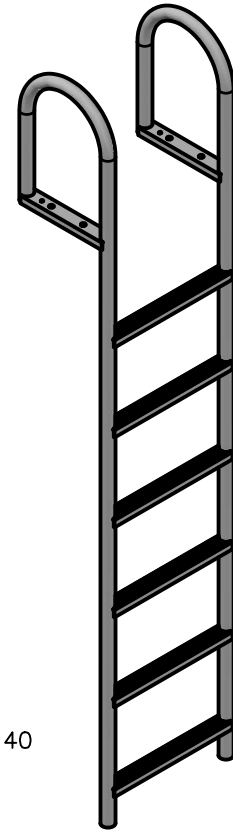
INTERNATIONAL DOCK PRODUCTS, INC.  
 Pembroke Park, FL  
[DOCKPRODUCTS.COM](http://DOCKPRODUCTS.COM)

REVISIONS				
ZONE	REV	DESCRIPTION	DATE	APPROVED
NA	A	NEW RELEASE	6/29/2023	RK



NON-SKID STEPS  
 2" X 1" X 1/8"  
 EXTRUDED CHANNEL

1-1/4" SCHEDULE 40  
 ALUMINUM TUBING



FILE NAME 6ST_ladder assembly_2 in.dwg			
CONTRACT NO NA			
DRAWN 6/28/2023			
CHECK			
APPR.			
ISSUED			
SIZE	FSCM NO	DWG NO	REV
C	NA	6ST_ASSY_2_in - 001	A
SCALE 1:2.197	WEIGHT	SHEET 1/1	

LADDER-STRAIGHT-6

6ST\_ladder assembly\_2 in.dwg

06.07.2023

Roman