

7ST\_ladder\_assembly\_2 in.dwg

27.06.2023

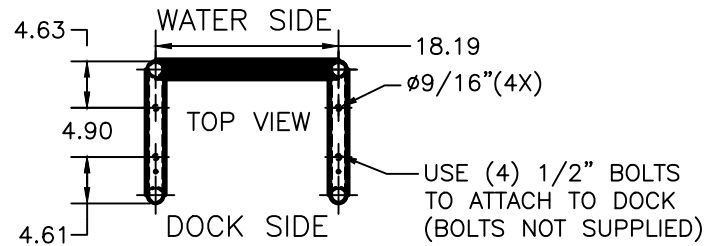
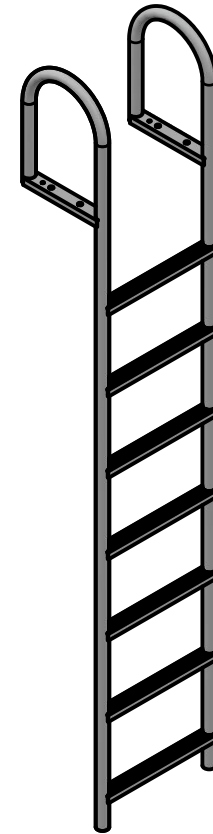
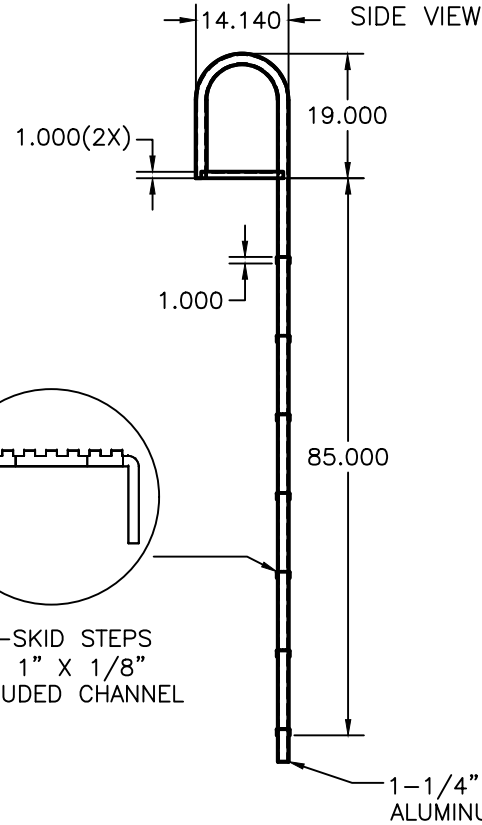
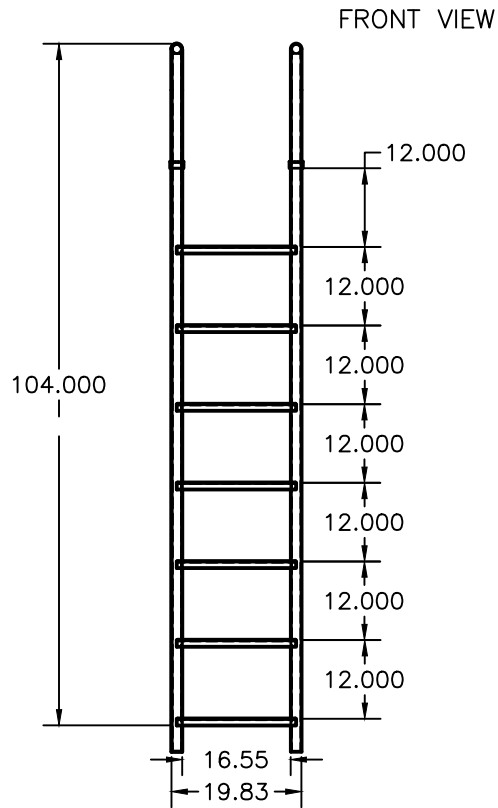
Roman

NOTES:

1. ALL UNITS ARE IN INCHES
2. MATERIAL AL 6063-T5
3. SEE INDIVIDUAL PART DRAWINGS FOR ADD'L DIMS

INTERNATIONAL DOCK PRODUCTS, INC.  
 Pembroke Park, FL  
[DOCKPRODUCTS.COM](http://DOCKPRODUCTS.COM)

REVISIONS				
ZONE	REV	DESCRIPTION	DATE	APPROVED
NA	A	NEW RELEASE	6/27/2023	RK



FILE NAME 7ST_ladder_assembly_2 in.dwg			
CONTRACT NO NA			
DRAWN 6/22/2023			
CHECK			
APPR.			
ISSUED			
SIZE	FSCM NO	DWG NO	REV
C	NA	7ST_ASSY_2_IN - 001	A
SCALE	1:2.197	WEIGHT	SHEET 1/1

LADDER-STRAIGHT-7