

5ST\_ladder assembly\_2 in.dwg

16.04.2024

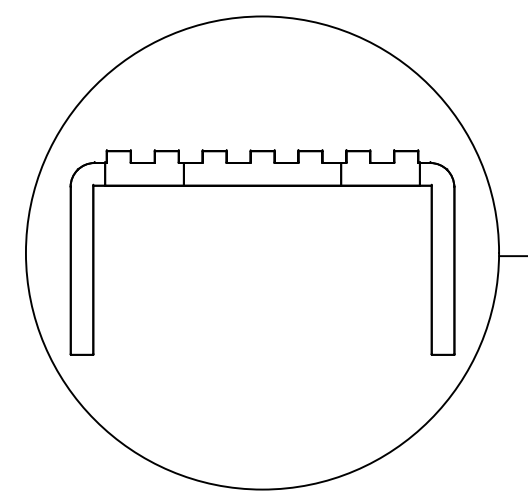
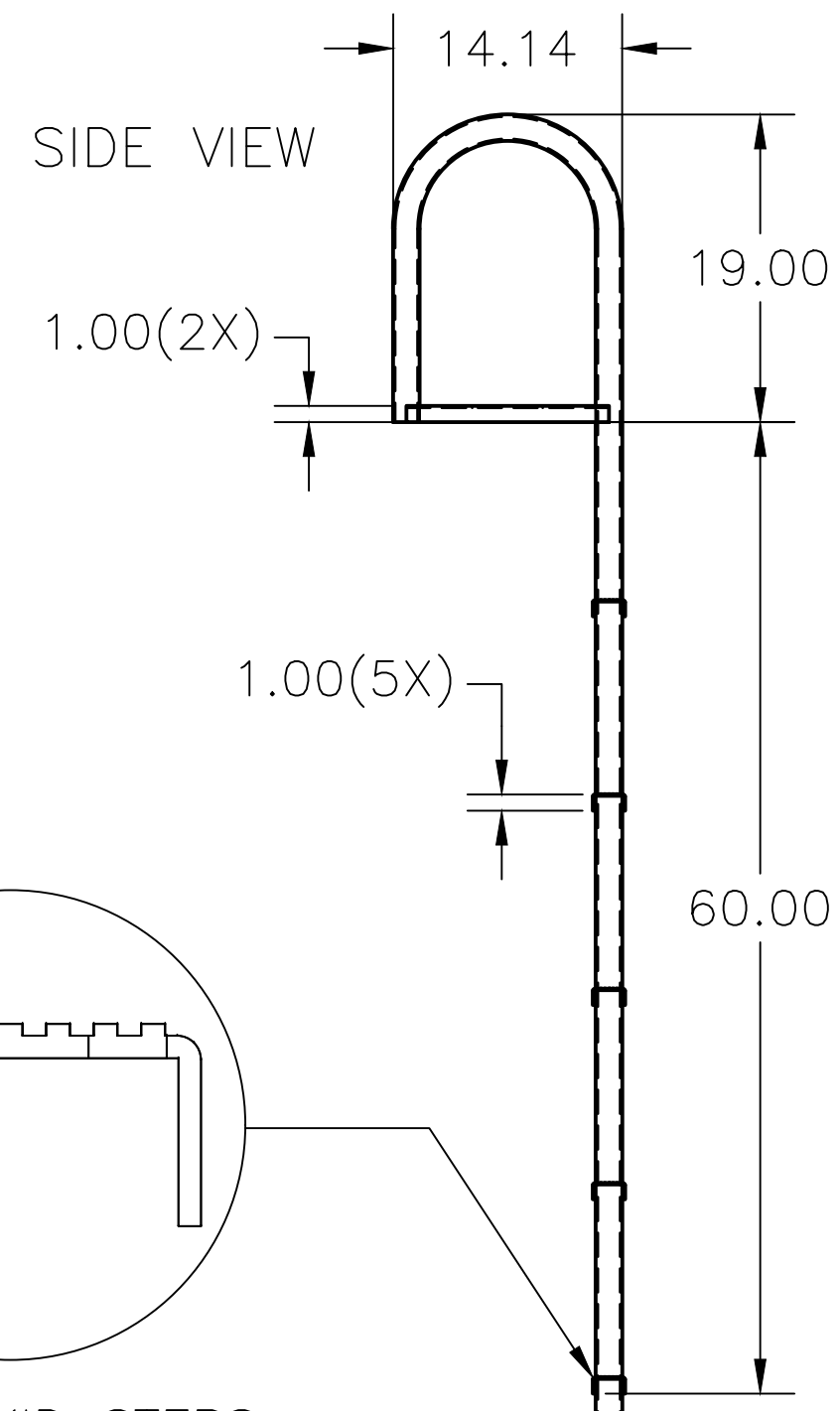
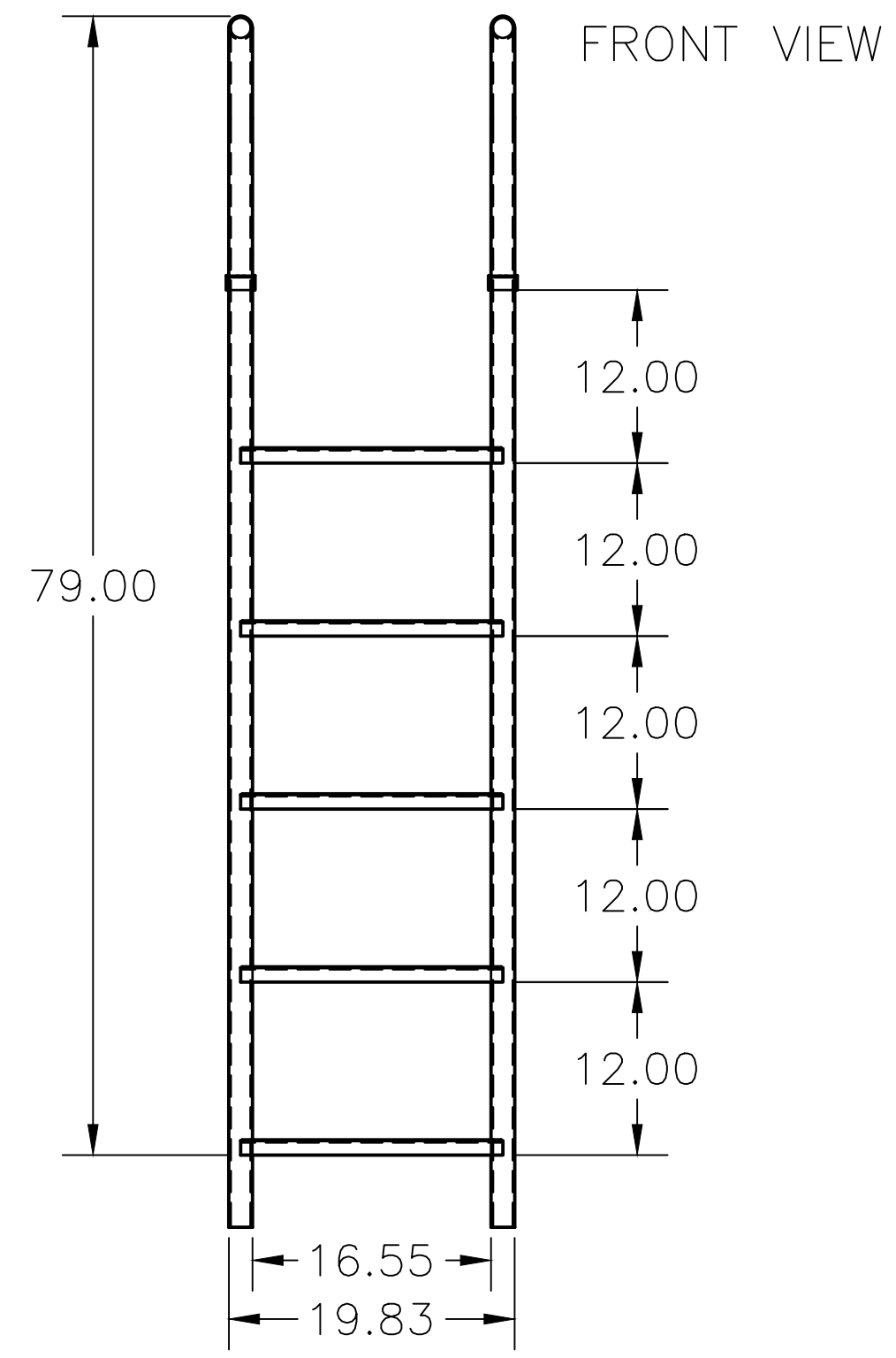
Roman

NOTES:

- 1. ALL UNITS ARE IN INCHES
- 2. MATERIAL AL 6063-T5
- 3. SEE INDIVIDUAL PART DRAWINGS FOR ADD'L DIMS

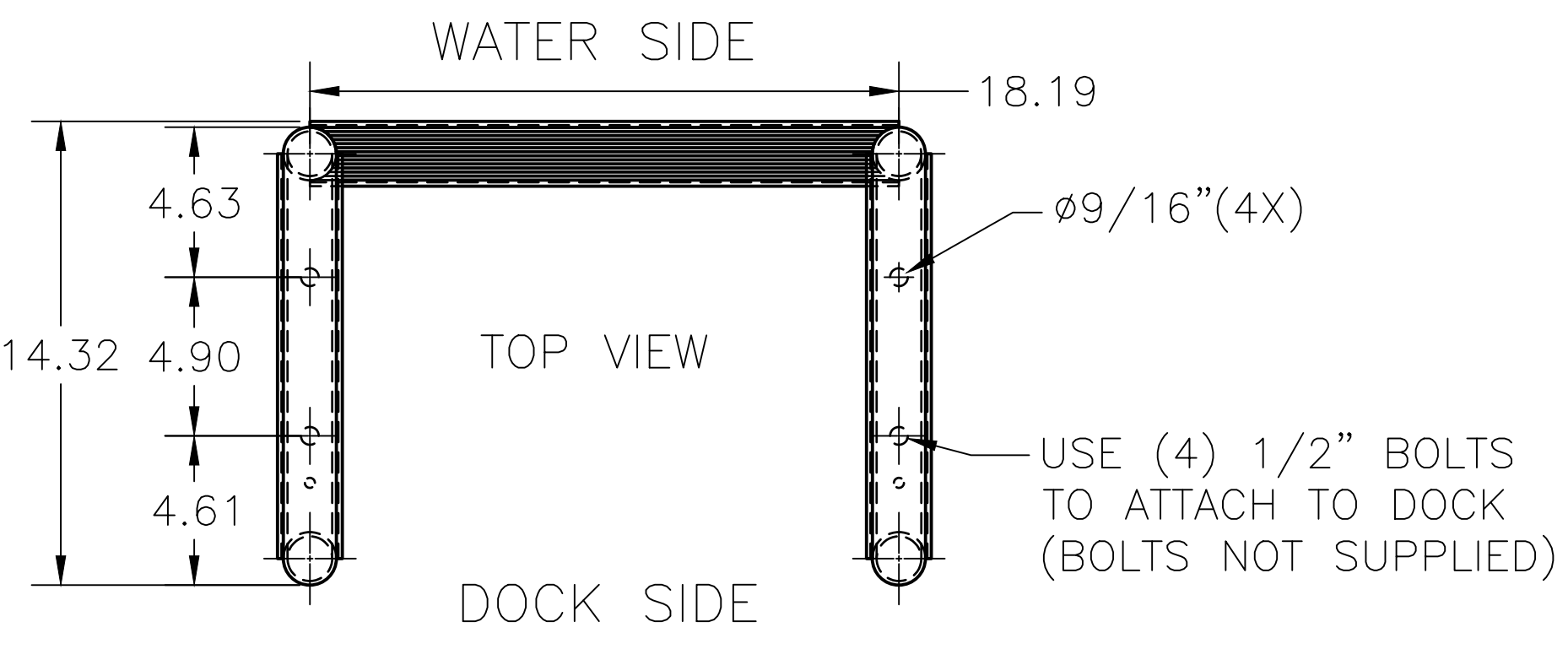
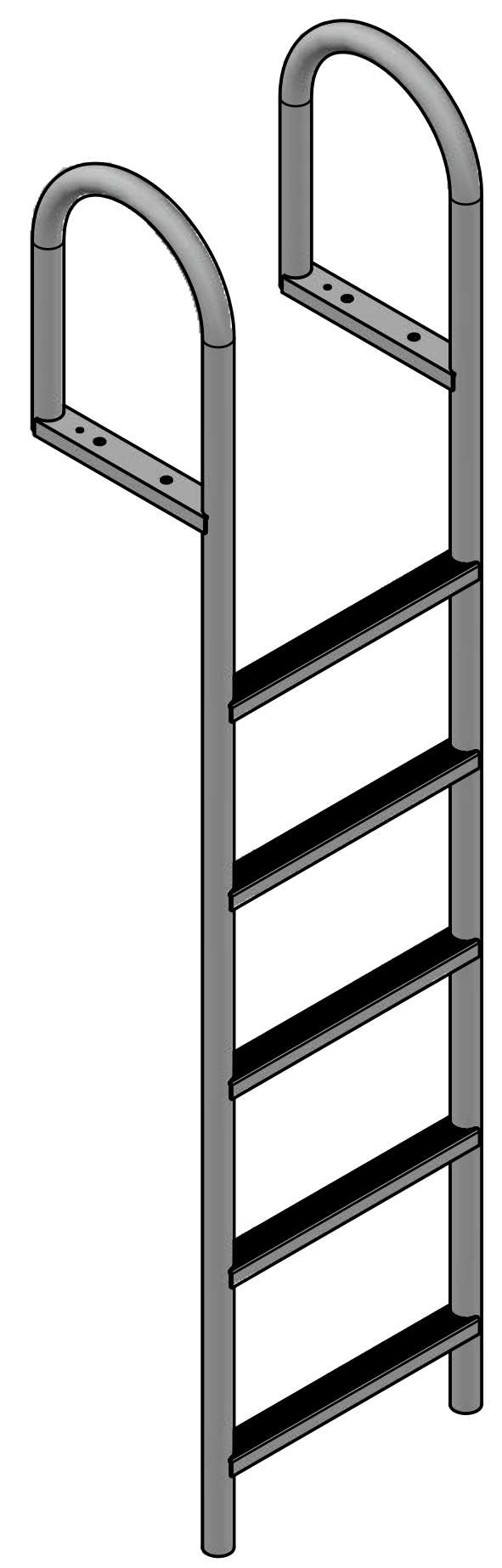
INTERNATIONAL DOCK PRODUCTS, INC.  
 Pembroke Park, FL  
[DOCKPRODUCTS.COM](http://DOCKPRODUCTS.COM)

REVISIONS				
ZONE	REV	DESCRIPTION	DATE	APPROVED
NA	A	NEW RELEASE	6/28/2023	RK
NA	B	ADDED TOP VIEW DIM - 14.32	4/12/2024	RK



NON-SKID STEPS  
 2" X 1" X 1/8"  
 EXTRUDED CHANNEL

1-1/4"  
 SCHEDULE 40  
 ALUMINUM PIPE



FILE NAME 5ST_ladder assembly_2 in.dwg				
CONTRACT NO NA				
DRAWN 6/22/2023				
CHECK				
APPR.				
ISSUED				
SIZE	FSCM NO	DWG NO	REV	
C	NA	5ST_ASSY_2_in - 001	B	
SCALE 1:1.001		WEIGHT	SHEET 1/1	

LADDER-STRAIGHT-5

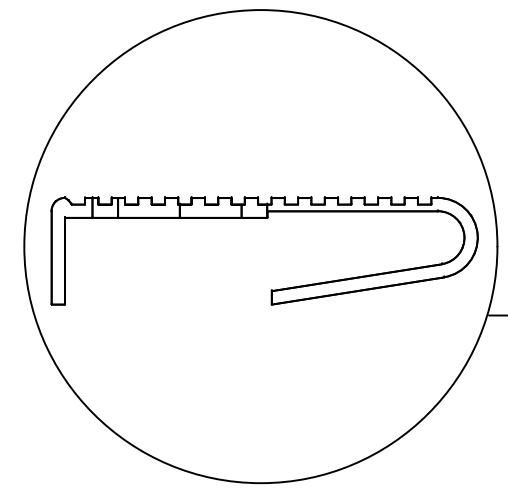
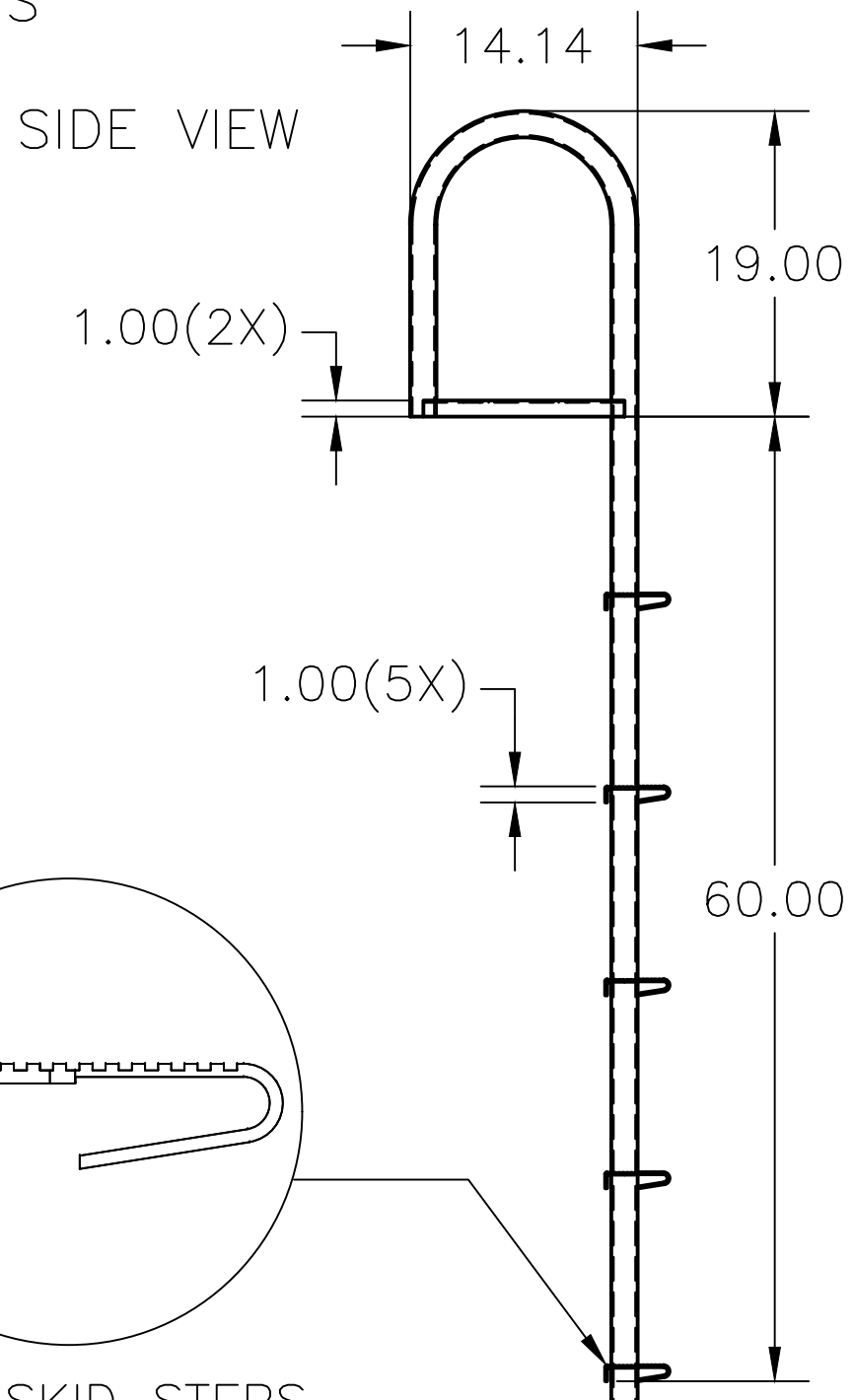
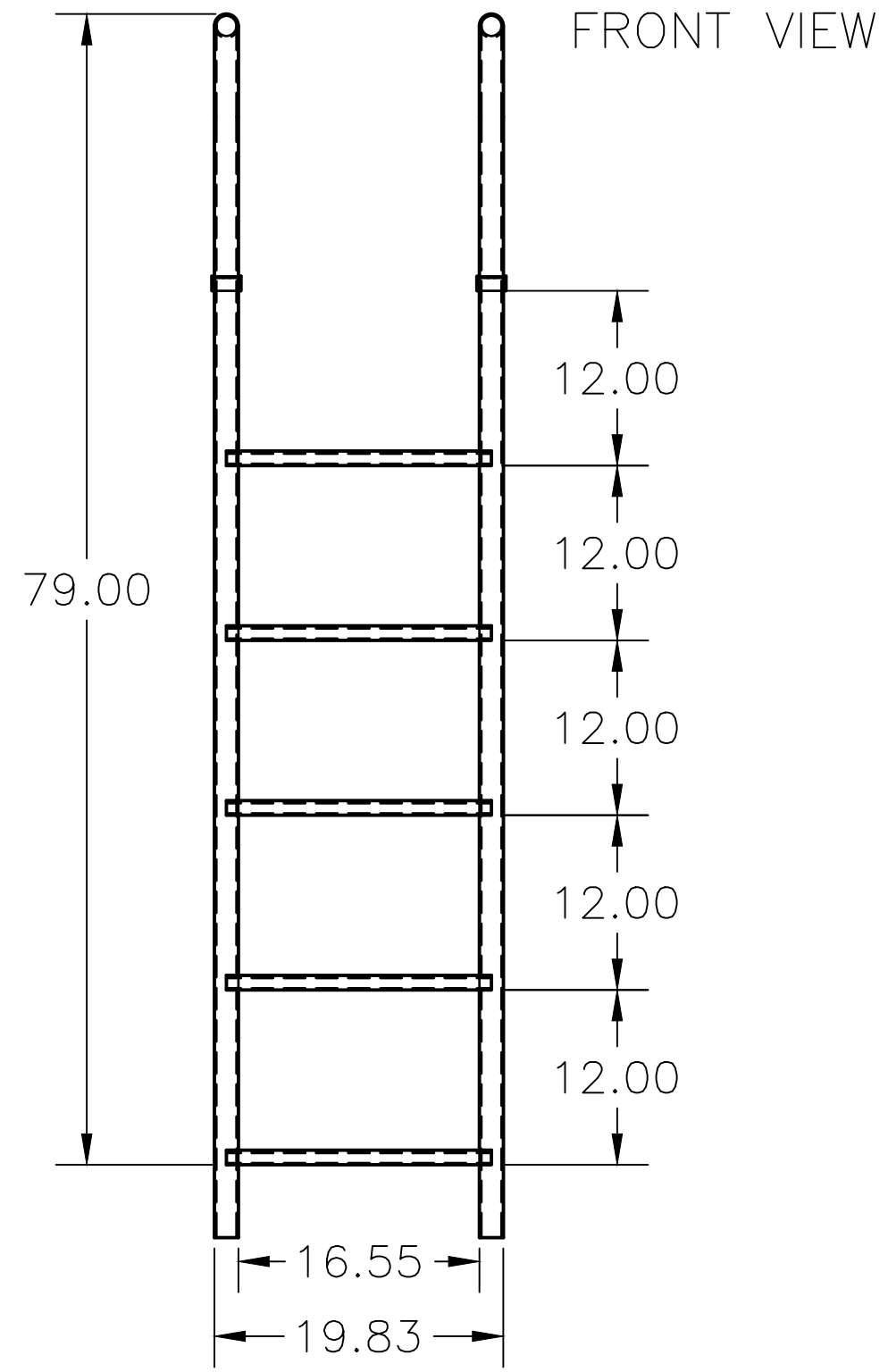
5ST\_ladder\_assembly\_4 in.dwg

16.04.2024

Roman

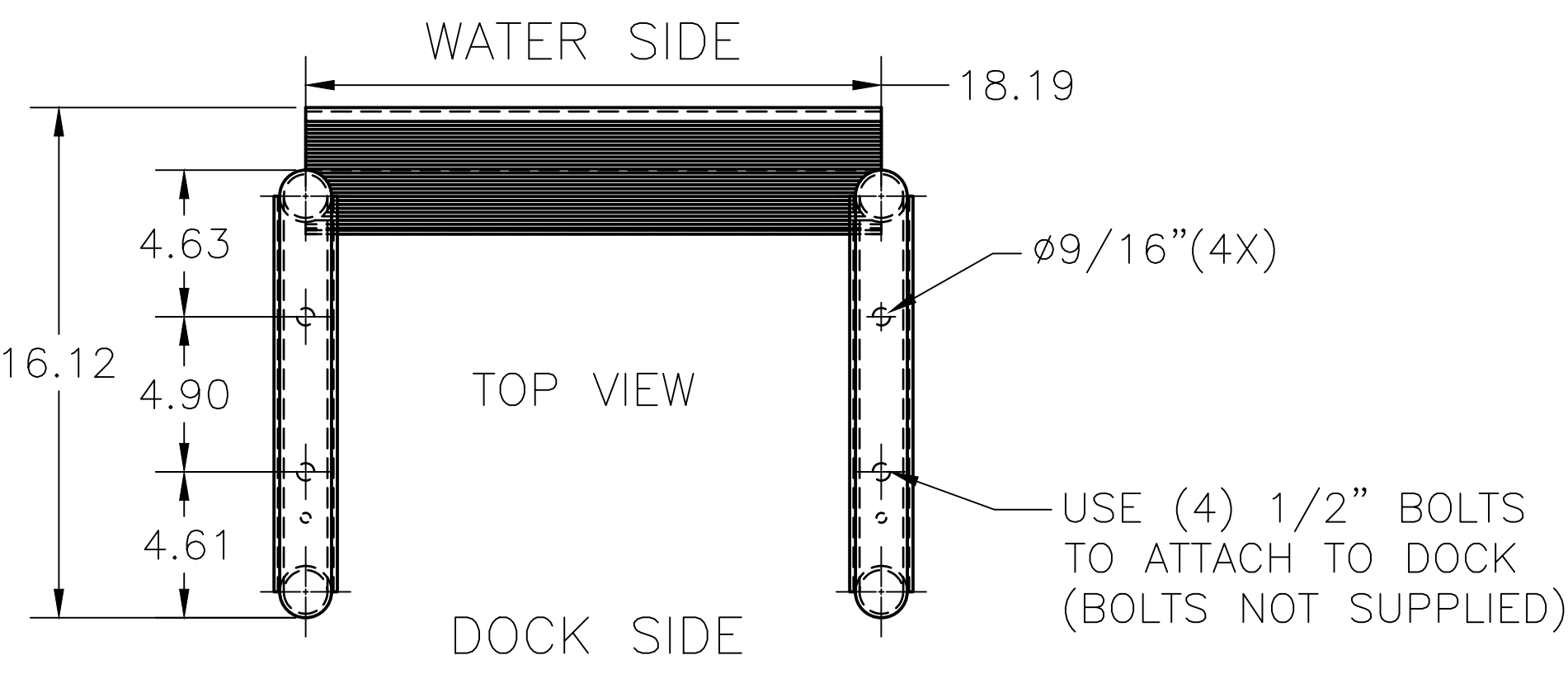
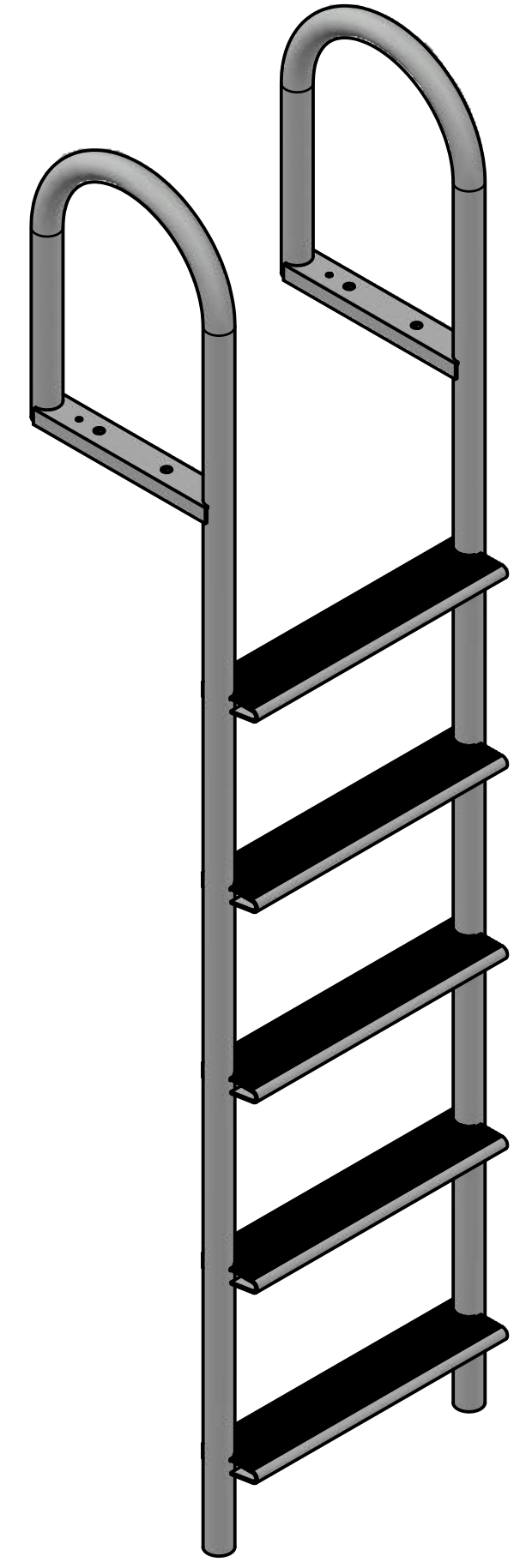
- NOTES:
1. ALL UNITS ARE IN INCHES
  2. MATERIAL AL 6063-T5
  3. SEE INDIVIDUAL PART DRAWINGS FOR ADD'L DIMS

INTERNATIONAL DOCK PRODUCTS, INC. Pembroke Park, FL <a href="http://DOCKPRODUCTS.COM">DOCKPRODUCTS.COM</a>				
REVISIONS				
ZONE	REV	DESCRIPTION	DATE	APPROVED
NA	A	NEW RELEASE	6/28/2023	RK
NA	B	ADDED TOP VIEW DIM - 16.12	4/12/2024	RK



NON-SKID STEPS  
4" X 1" X 1/8"  
EXTRUDED CHANNEL

1-1/4"  
SCHEDULE 40  
ALUMINUM PIPE



USE (4) 1/2" BOLTS  
TO ATTACH TO DOCK  
(BOLTS NOT SUPPLIED)

FILE NAME 5ST_ladder_assembly_4 in.dwg			
CONTRACT NO NA			
DRAWN 7/6/2023			
CHECK			
APPR.			
ISSUED			
SIZE	FSCM NO	DWG NO	REV
C	NA	5ST_ASSY_4_in - 001	B
SCALE 1:1.001		WEIGHT	SHEET 1/1

LADDER-STRAIGHT-5-WIDE