

6ST\_ladder assembly\_2 in.dwg

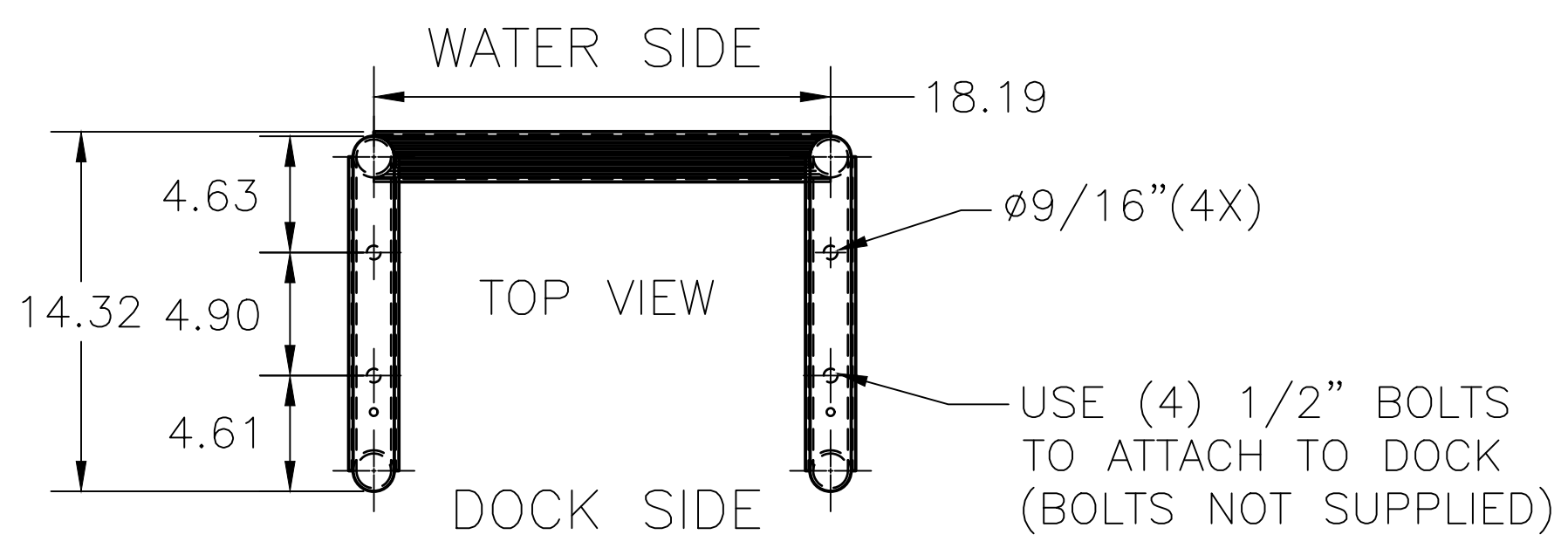
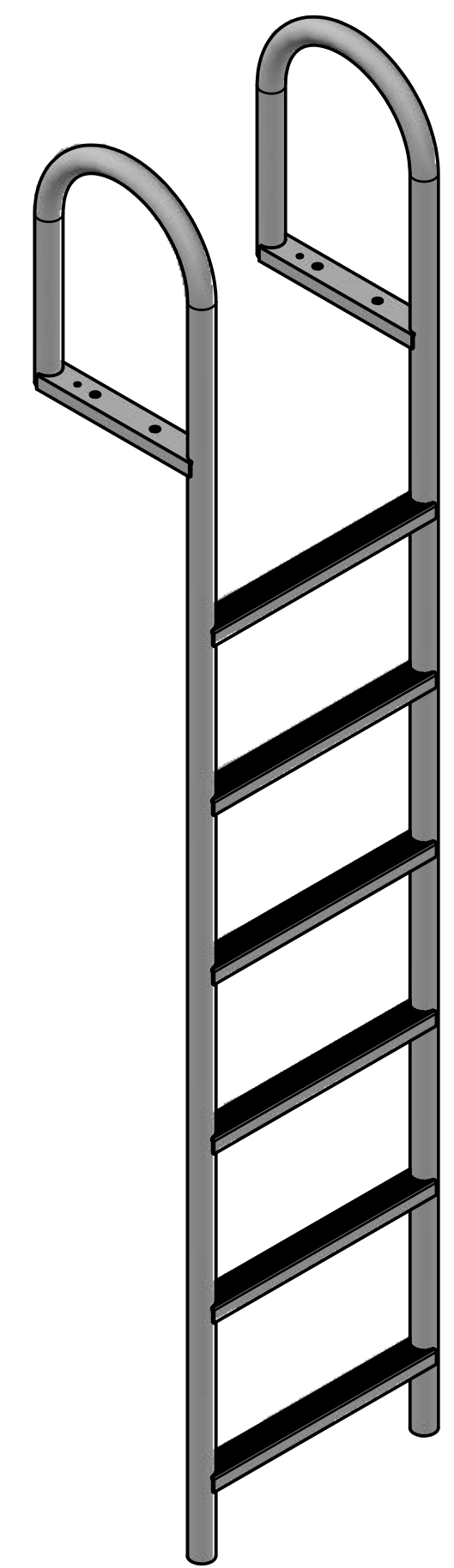
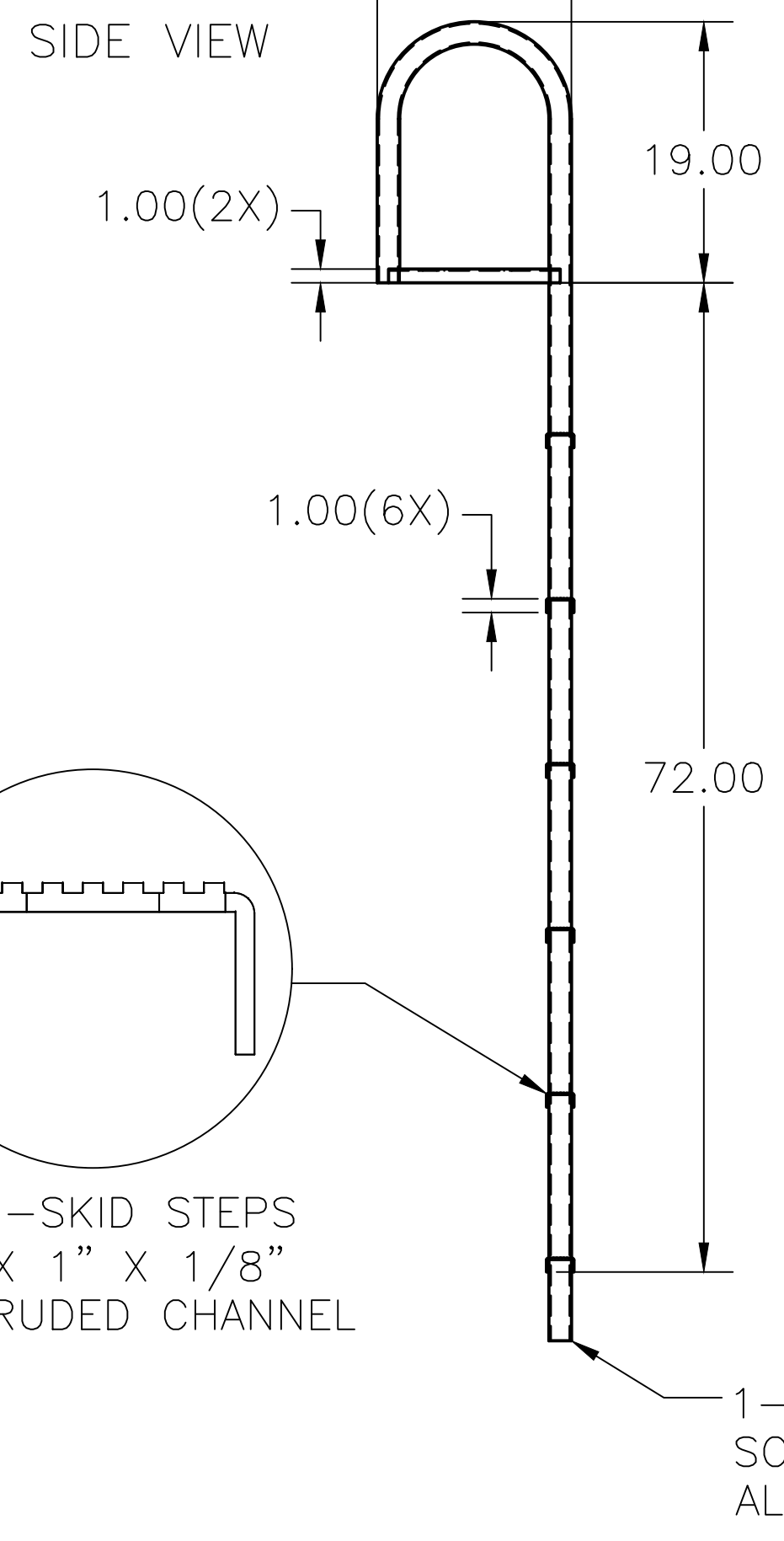
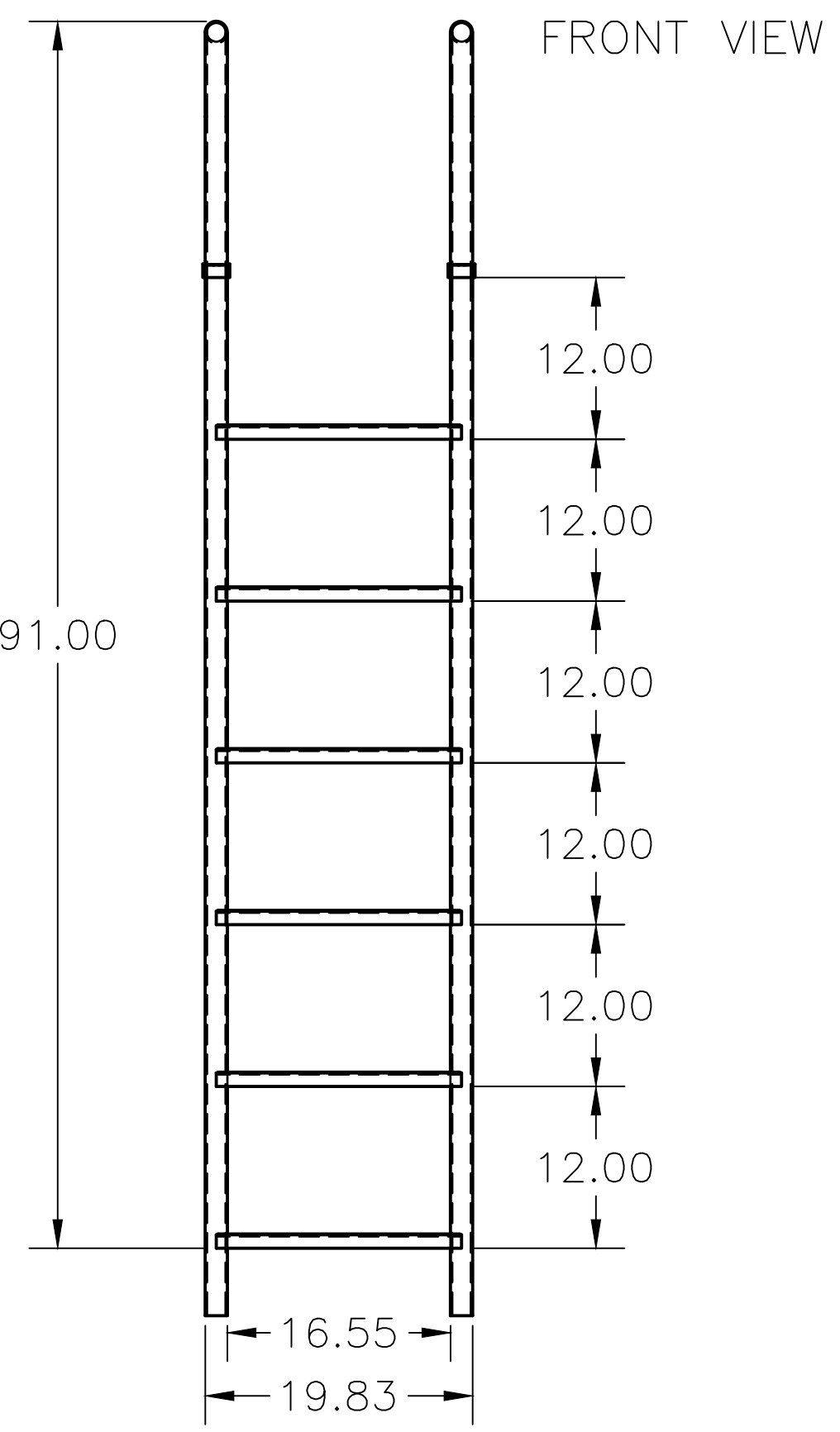
16.04.2024

Roman

NOTES:

- 1. ALL UNITS ARE IN INCHES
- 2. MATERIAL AL 6063-T5
- 3. SEE INDIVIDUAL PART DRAWINGS FOR ADD'L DIMS

INTERNATIONAL DOCK PRODUCTS, INC. Pembroke Park, FL DOCKPRODUCTS.COM				
REVISIONS				
ZONE	REV	DESCRIPTION	DATE	APPROVED
NA	A	NEW RELEASE	6/29/2023	RK
NA	B	ADDED TOP VIEW DIM - 14.32	4/12/2024	RK



FILE NAME 6ST_ladder assembly_2 in.dwg			
CONTRACT NO NA			
DRAWN 6/28/2023			
CHECK			
APPR.			
ISSUED			
SIZE	FSCM NO	DWG NO	REV
C	NA	6ST_ASSY_2_in - 001	B
SCALE 1:1.001		WEIGHT	SHEET 1/1

LADDER-STRAIGHT-6

6ST\_ladder assembly\_4 in.dwg

16.04.2024

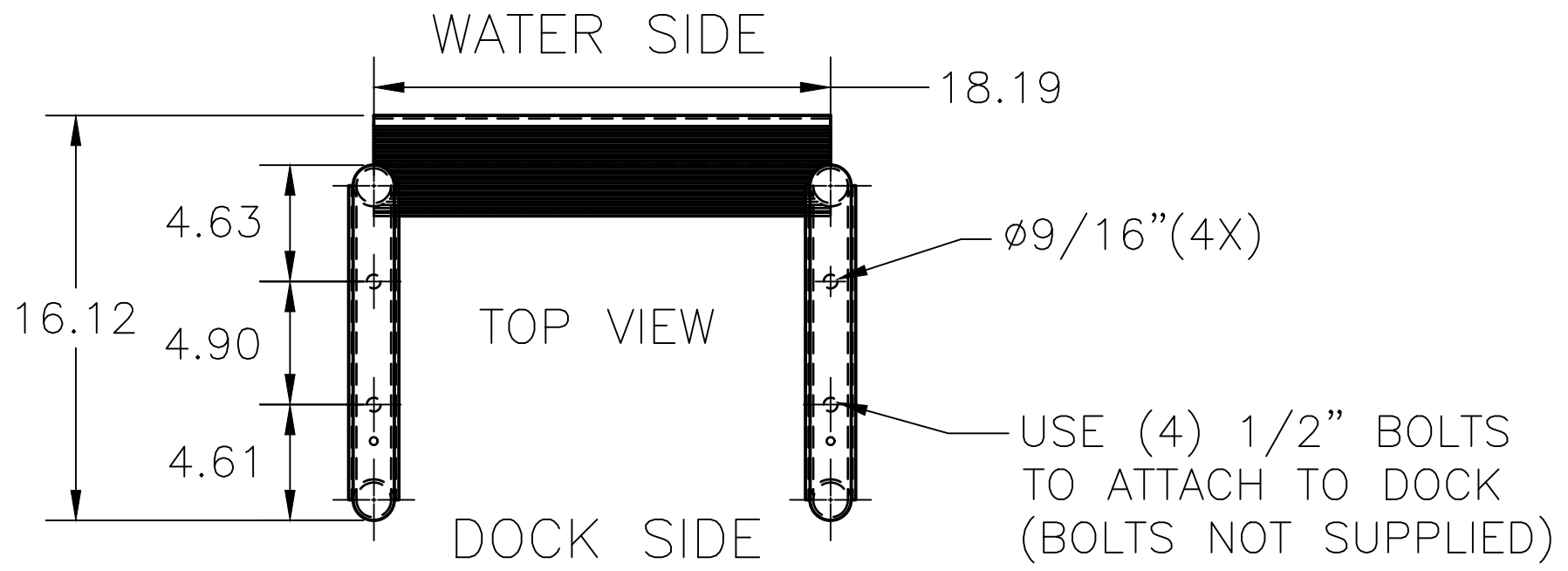
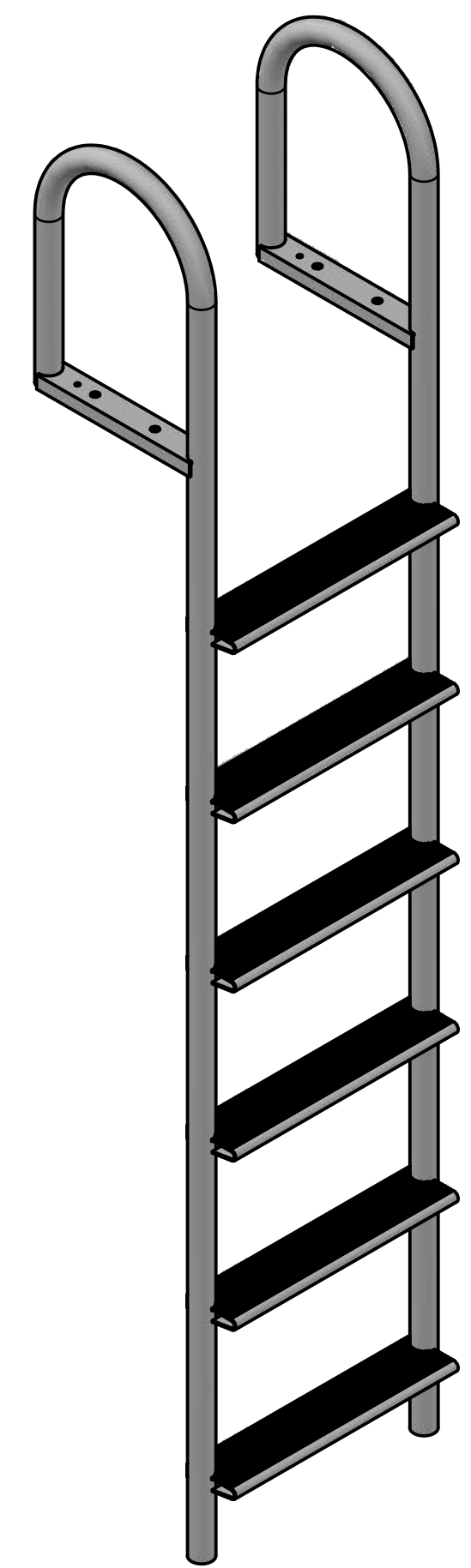
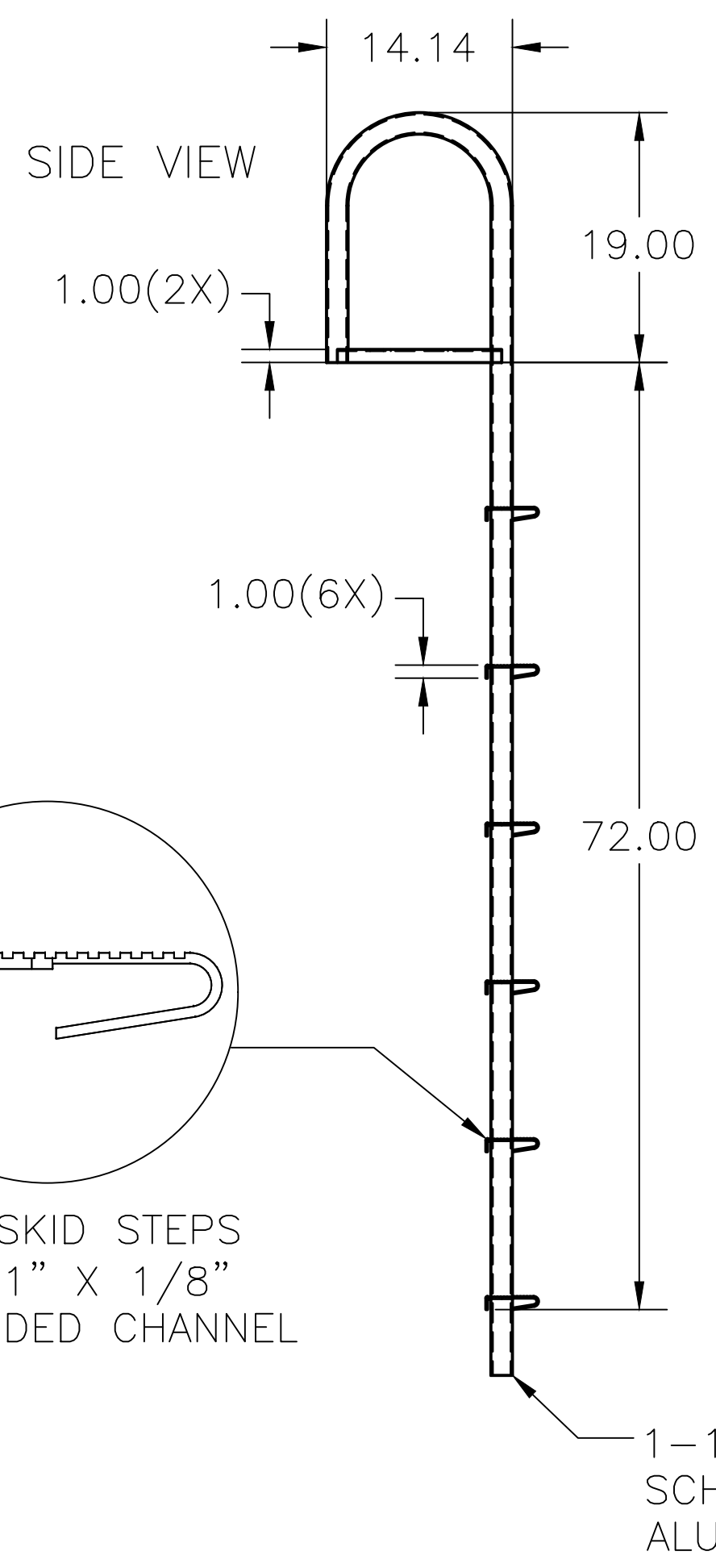
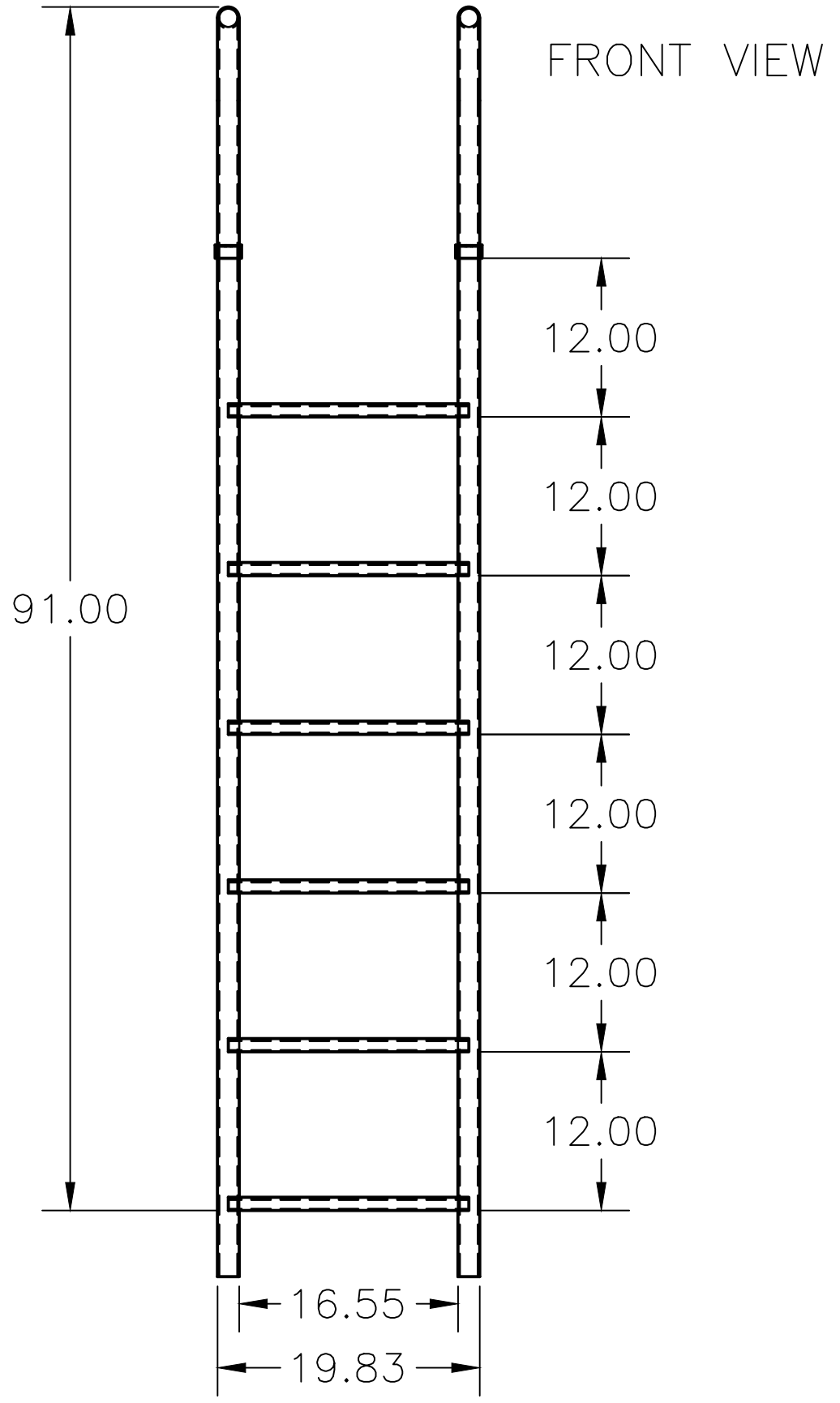
Roman

NOTES:

- 1. ALL UNITS ARE IN INCHES
- 2. MATERIAL AL 6063-T5
- 3. SEE INDIVIDUAL PART DRAWINGS FOR ADD'L DIMS

INTERNATIONAL DOCK PRODUCTS, INC.  
 Pembroke Park, FL  
[DOCKPRODUCTS.COM](http://DOCKPRODUCTS.COM)

REVISIONS				
ZONE	REV	DESCRIPTION	DATE	APPROVED
NA	A	NEW RELEASE	6/29/2023	RK
NA	B	ADDED TOP VIEW DIM - 16.12	4/12/2024	RK



FILE NAME 6ST_ladder assembly_4 in.dwg				
CONTRACT NO NA				
DRAWN 7/6/2023				
CHECK				
APPR.				
ISSUED				
SIZE	FSCM NO	DWG NO	REV	
C	NA	6ST_ASSY_4_in - 001	B	
SCALE 1:1.001		WEIGHT	SHEET 1/1	

LADDER-STRAIGHT-6-WIDE