

3-step lift ladder assembly - Lanyard\_Conn..dwg

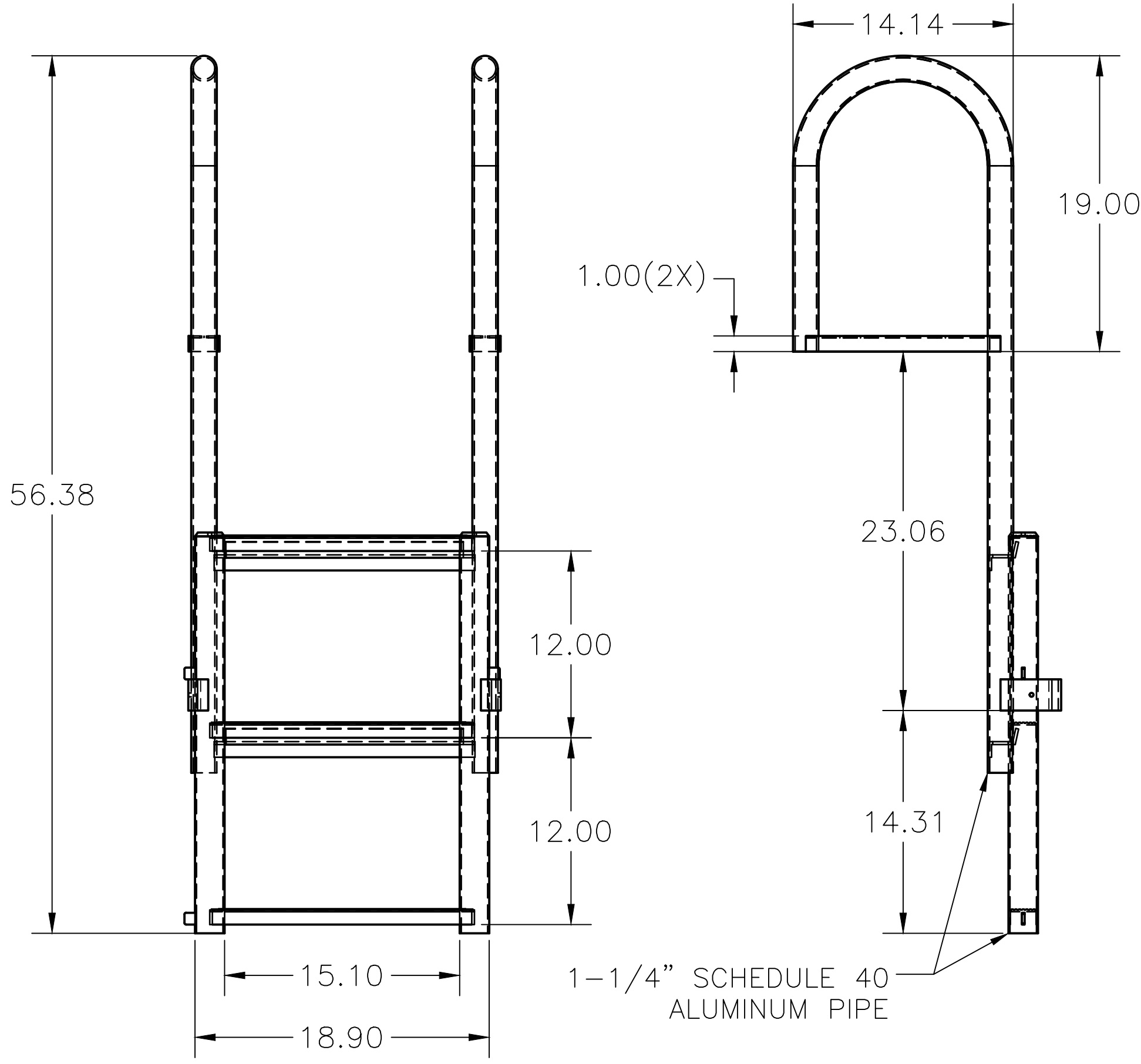
12.04.2024

Roman

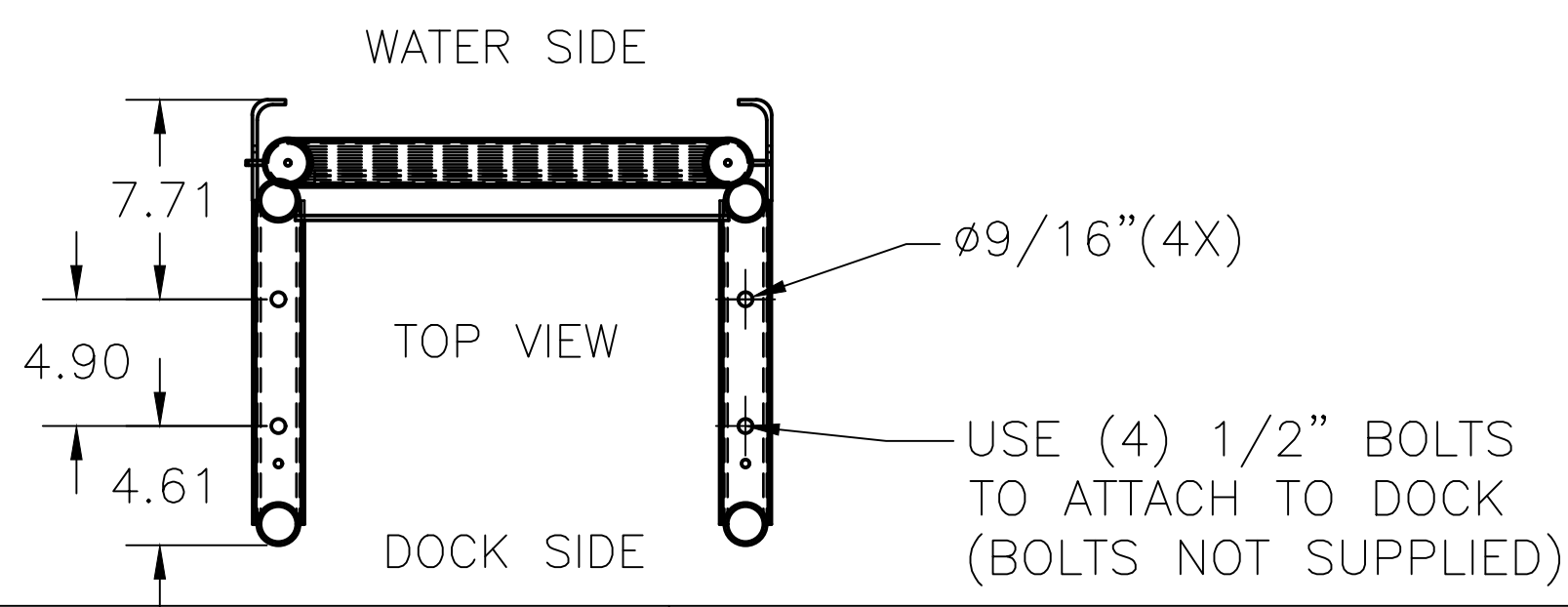
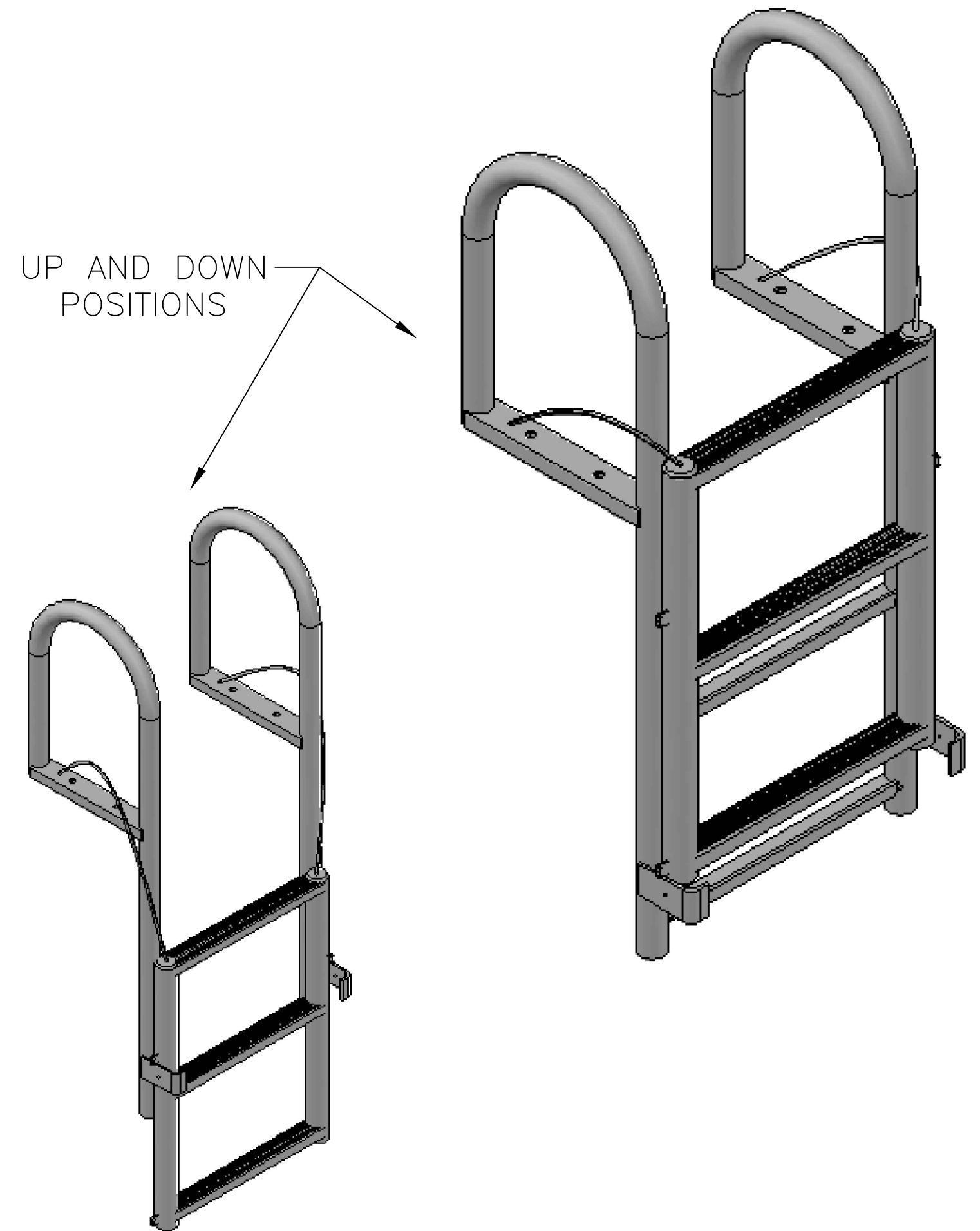
NOTES:

- 1. ALL UNITS ARE IN INCHES
- 2. MATERIAL AL 6063-T5
- 3. SEE INDIVIDUAL PART DRAWINGS FOR ADD'L DIMS

INTERNATIONAL DOCK PRODUCTS, INC. Pembroke Park, FL DOCKPRODUCTS.COM				
REVISIONS				
ZONE	REV	DESCRIPTION	DATE	APPROVED
NA	A	NEW RELEASE	3/12/2024	RK



UP AND DOWN POSITIONS



FILE NAME 3-step lift ladder assembly - Lanyard_Conn..dwg			
CONTRACT NO NA		LADDER-LIFT-3	
DRAWN 3/12/2024			
CHECK			
APPR.			
ISSUED		SIZE C	FSCM NO -
		DWG NO 3_ST_LIFT_LADDER_ASSY	REV A
SCALE 1:1.0008		WEIGHT	SHEET 1 OF 1

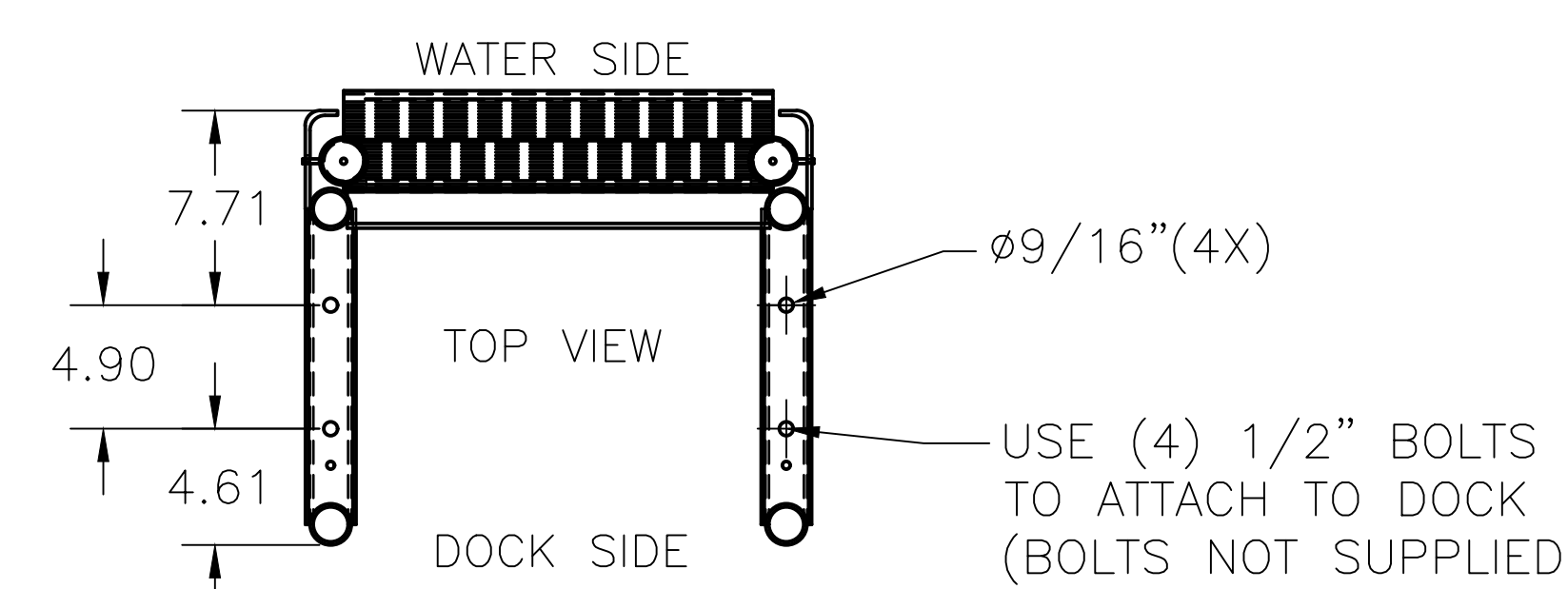
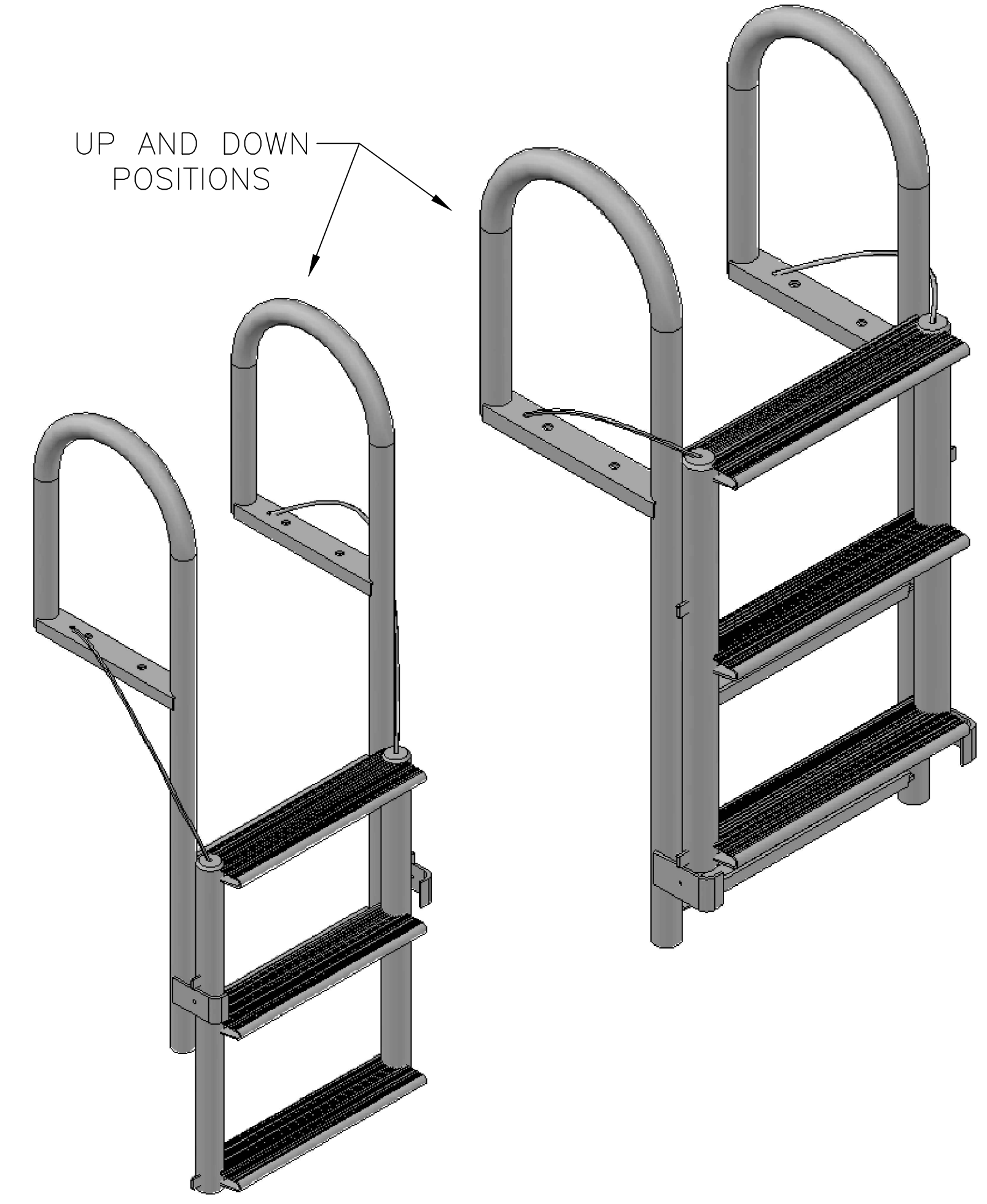
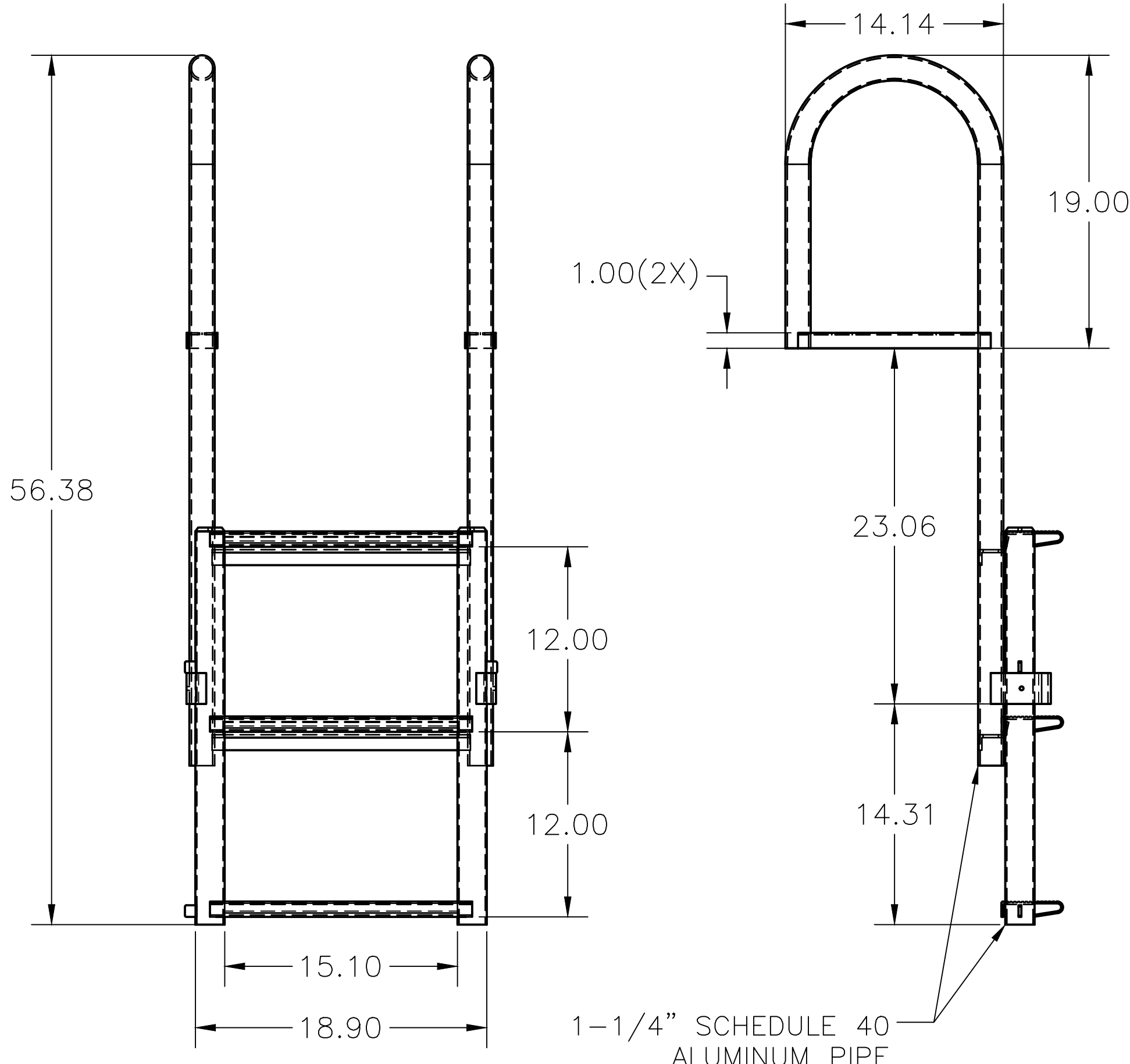
3-step wide lift ladder wide assembly.dwg

04.06.2024

Roman

NOTES:  
 1. ALL UNITS ARE IN INCHES  
 2. MATERIAL AL 6063-T5  
 3. SEE INDIVIDUAL PART DRAWINGS FOR ADD'L DIMS

INTERNATIONAL DOCK PRODUCTS, INC. Pembroke Park, FL DOCKPRODUCTS.COM				
REVISIONS				
ZONE	REV	DESCRIPTION	DATE	APPROVED
NA	A	NEW RELEASE	5/7/2024	RK



FILE NAME 3-step wide lift ladder wide assembly.dwg			
CONTRACT NO NA			
DRAWN 3/12/2024			
CHECK			
APPR.			
ISSUED			
SIZE	FSCM NO	DWG NO	REV
C	-	3_ST_WIDE_LIFT_LADDER_ASSY	A
SCALE 1:1.0008		WEIGHT	SHEET 1 OF 1