

4-step lift ladder assembly - No Lan. - Assembly.dwg

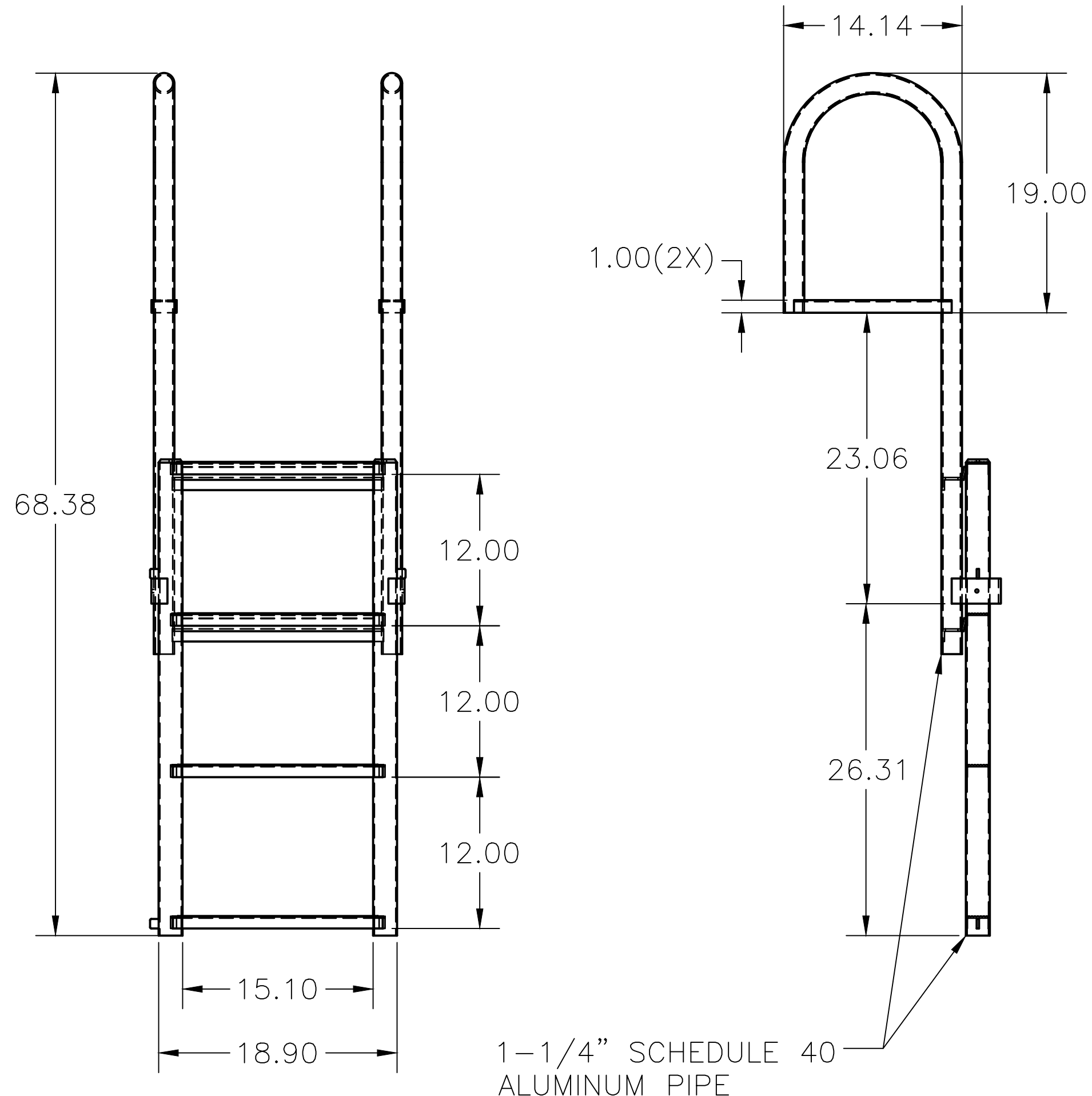
11.04.2024

Roman

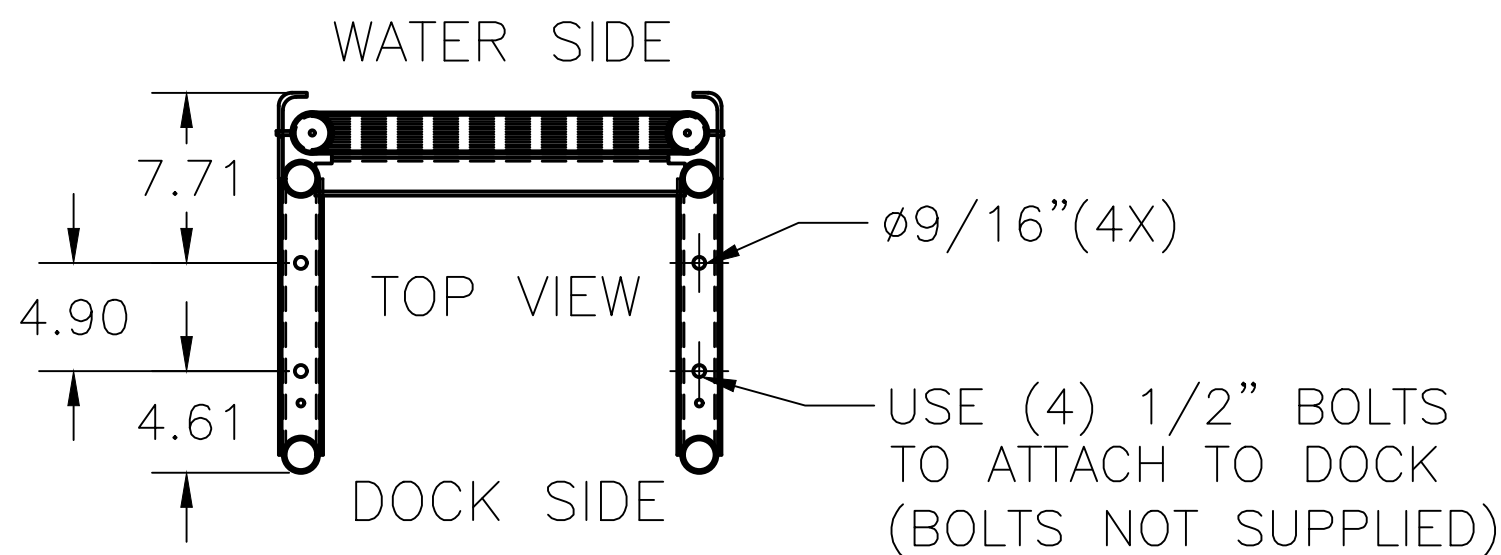
NOTES:

- 1. ALL UNITS ARE IN INCHES
- 2. MATERIAL AL 6063-T5
- 3. SEE INDIVIDUAL PART DRAWINGS FOR ADD'L DIMS

| | | | | |
|--|-----|-------------|----------|----------|
| INTERNATIONAL DOCK PRODUCTS, INC. Pembroke Park, FL DOCKPRODUCTS.COM | | | | |
| REVISIONS | | | | |
| ZONE | REV | DESCRIPTION | DATE | APPROVED |
| NA | A | NEW RELEASE | 4/3/2024 | RK |



UP AND DOWN POSITIONS



| | | | |
|--|---------|-----------------------|--------------|
| FILE NAME 4-step lift ladder assembly - No Lan. - Assembly.dwg | | | |
| CONTRACT NO NA | | | |
| DRAWN 3/12/2024 | | | |
| CHECK | | | |
| APPR. | | | |
| ISSUED | | | |
| SIZE | FSCM NO | DWG NO | REV |
| C | - | 4_ST_LIFT_LADDER_ASSY | A |
| SCALE 1:1.0008 | | WEIGHT | SHEET 1 OF 1 |

4-STEP LIFT LADDER ASSEMBLY

4-step wide lift ladder assembly.dwg

31.05.2024

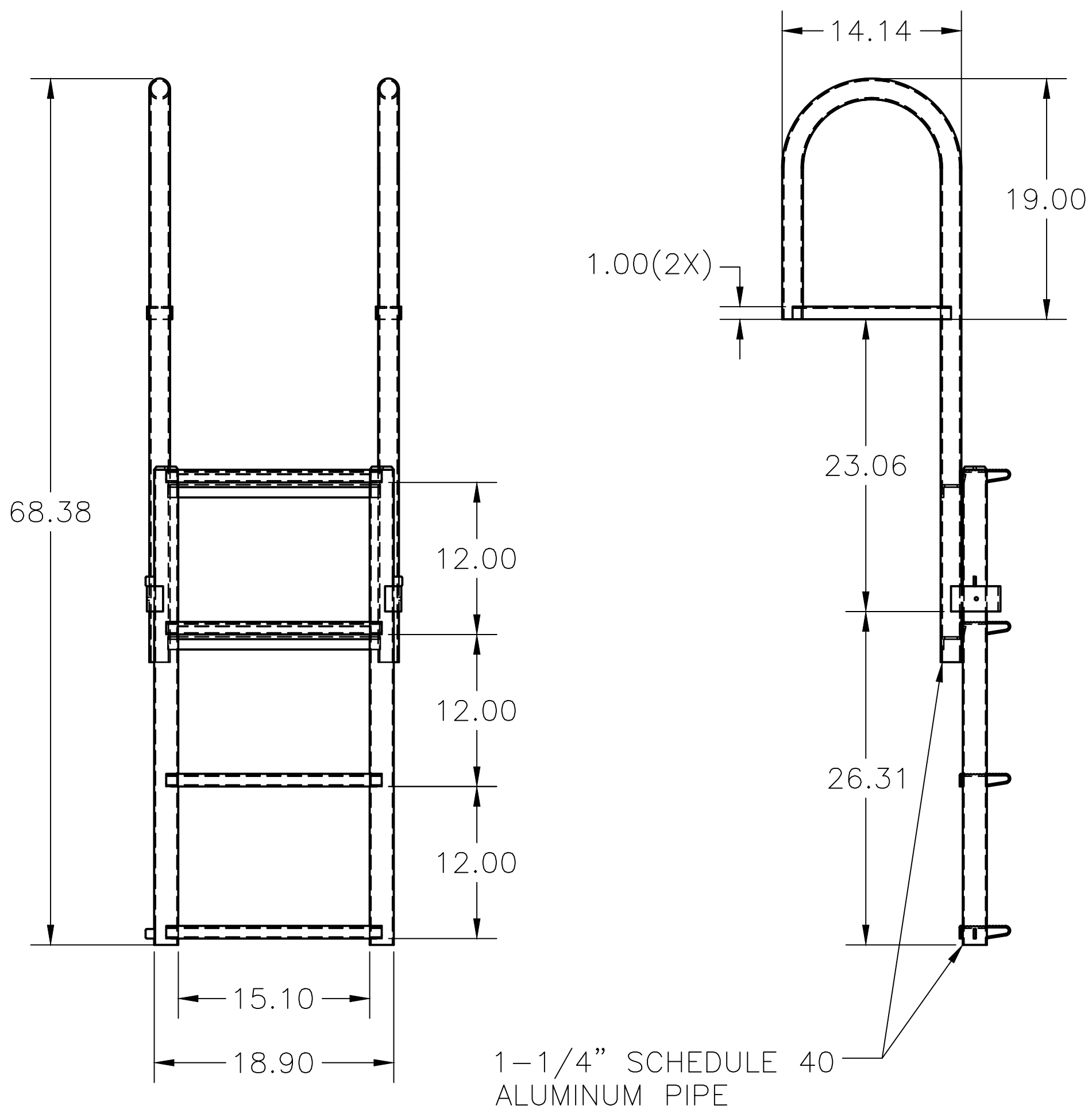
Roman

NOTES:

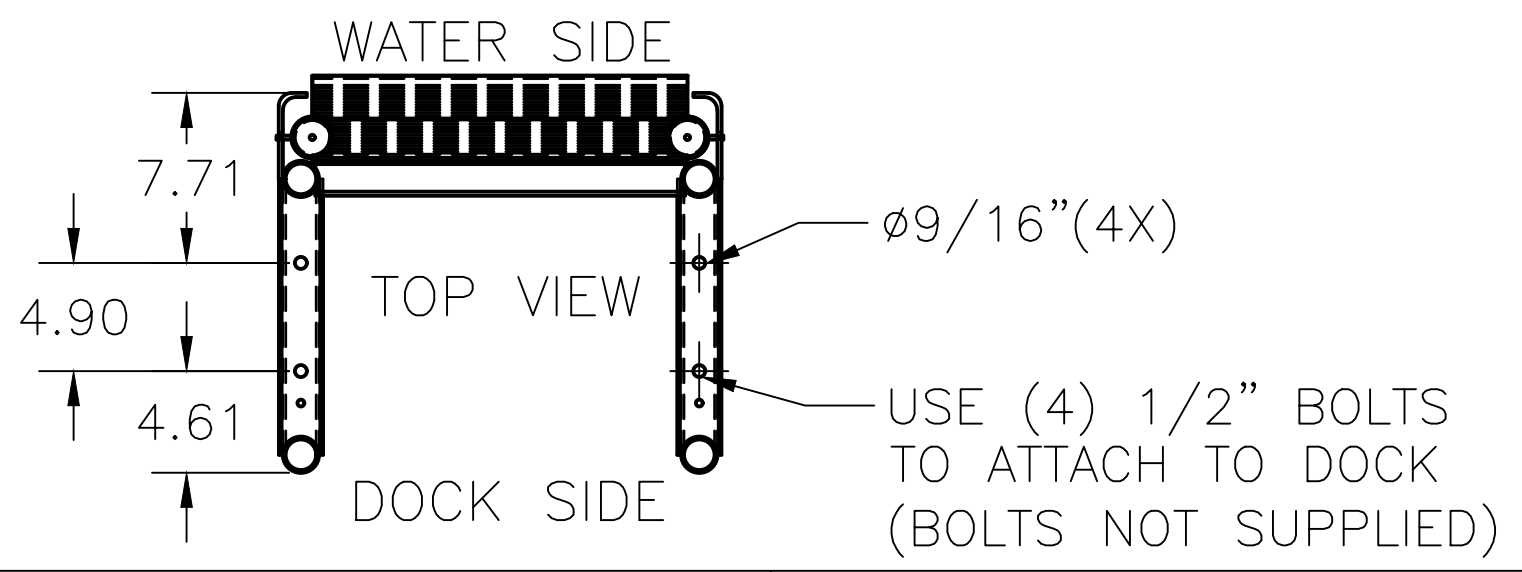
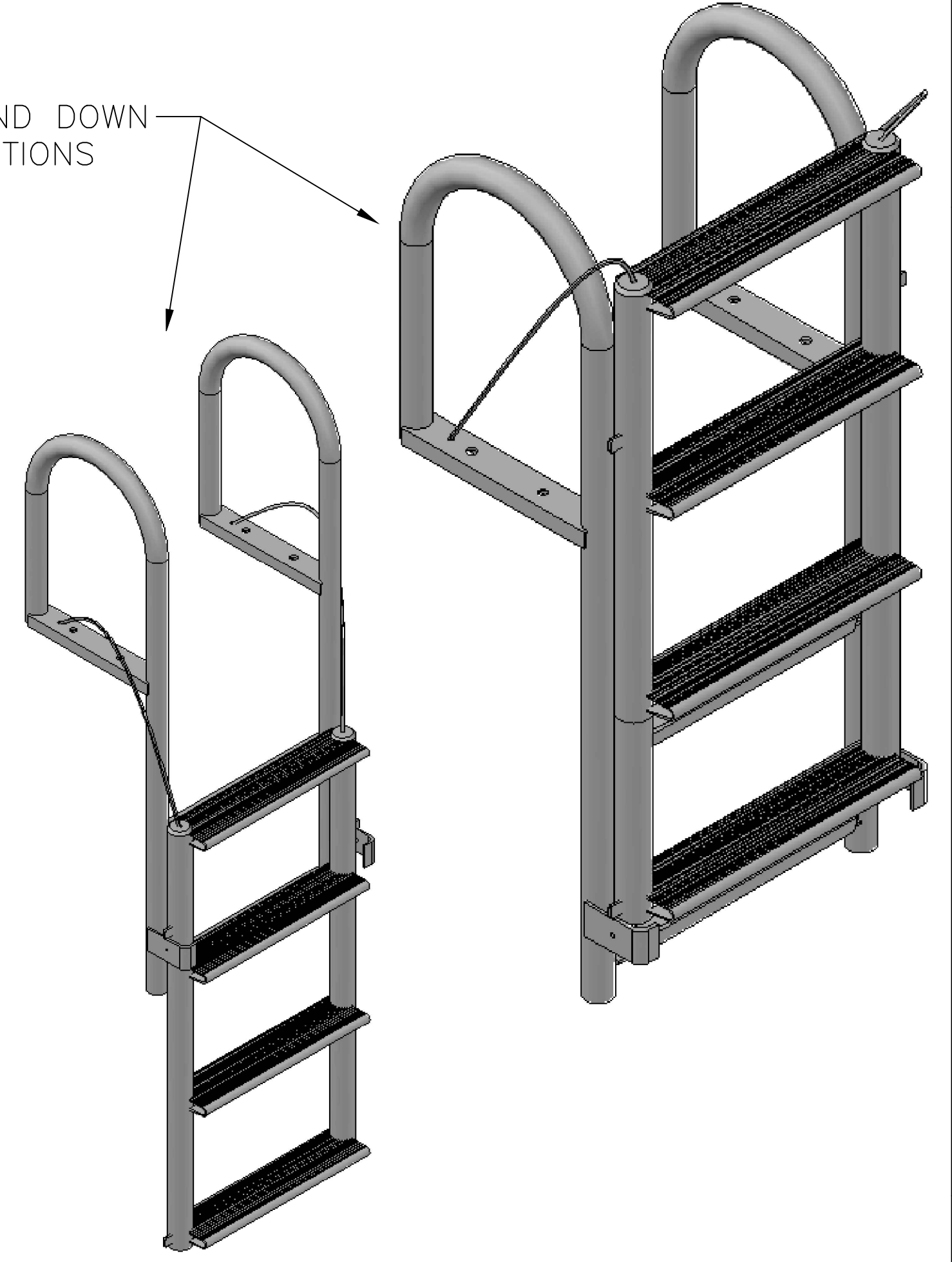
- 1. ALL UNITS ARE IN INCHES
- 2. MATERIAL AL 6063-T5
- 3. SEE INDIVIDUAL PART DRAWINGS FOR ADD'L DIMS

| | | | | |
|--|-----|-------------|----------|----------|
| INTERNATIONAL DOCK PRODUCTS, INC. Pembroke Park, FL DOCKPRODUCTS.COM | | | | |
| REVISIONS | | | | |
| ZONE | REV | DESCRIPTION | DATE | APPROVED |
| NA | A | NEW RELEASE | 5/9/2024 | RK |

D
C
B
A



UP AND DOWN POSITIONS



| | | | |
|--|---------|----------------------------|--------------|
| FILE NAME 4-step wide lift ladder assembly.dwg | | | |
| CONTRACT NO NA | | | |
| DRAWN 3/12/2024 | | | |
| CHECK | | | |
| APPR. | | | |
| ISSUED | | | |
| SIZE | FSCM NO | DWG NO | REV |
| C | - | 4_ST_WIDE_LIFT_LADDER_ASSY | A |
| SCALE 1:1.0008 | | WEIGHT | SHEET 1 OF 1 |

4 | 3 | 2 | 1

4 | 3 | 2 | 1