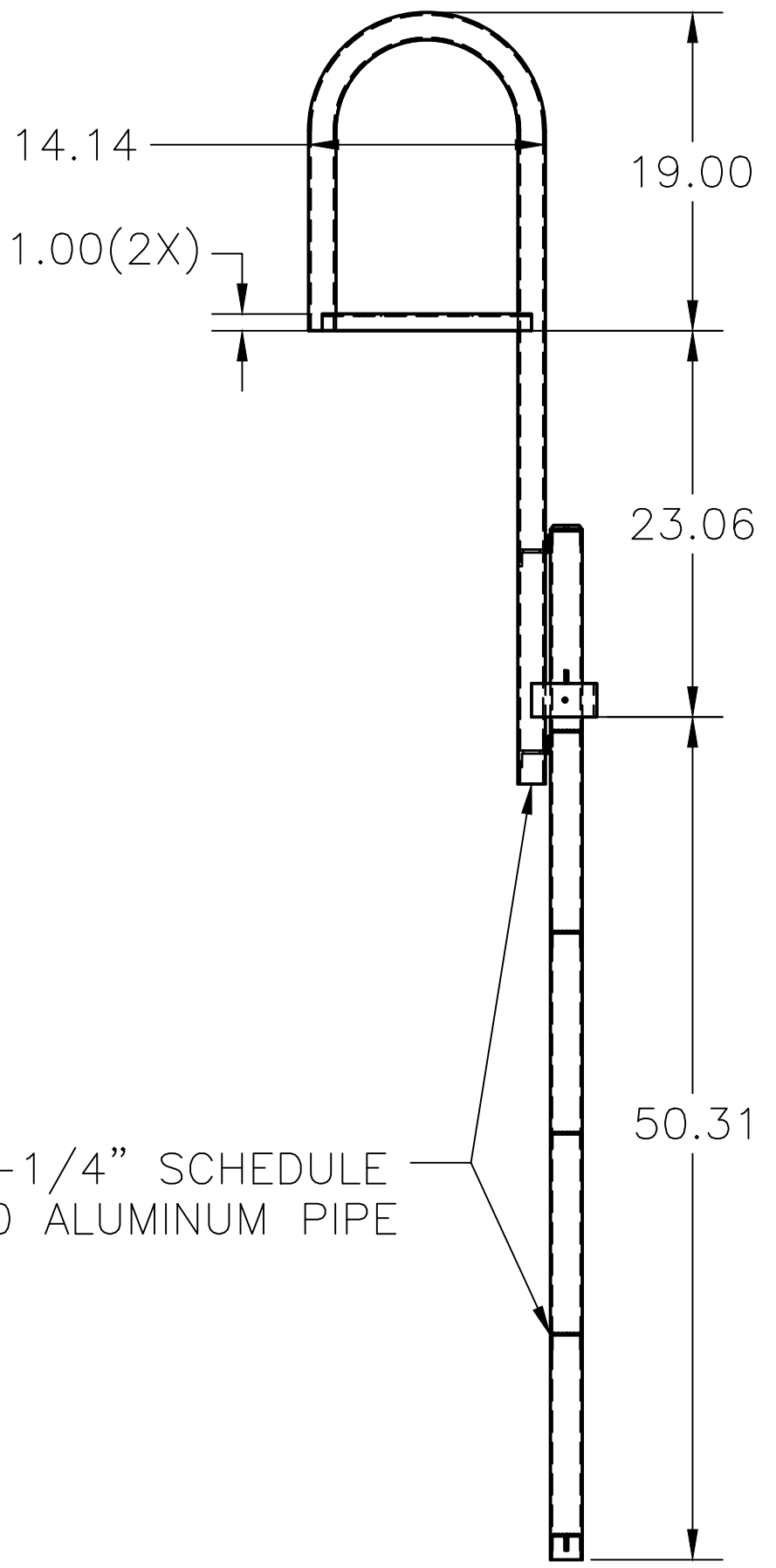
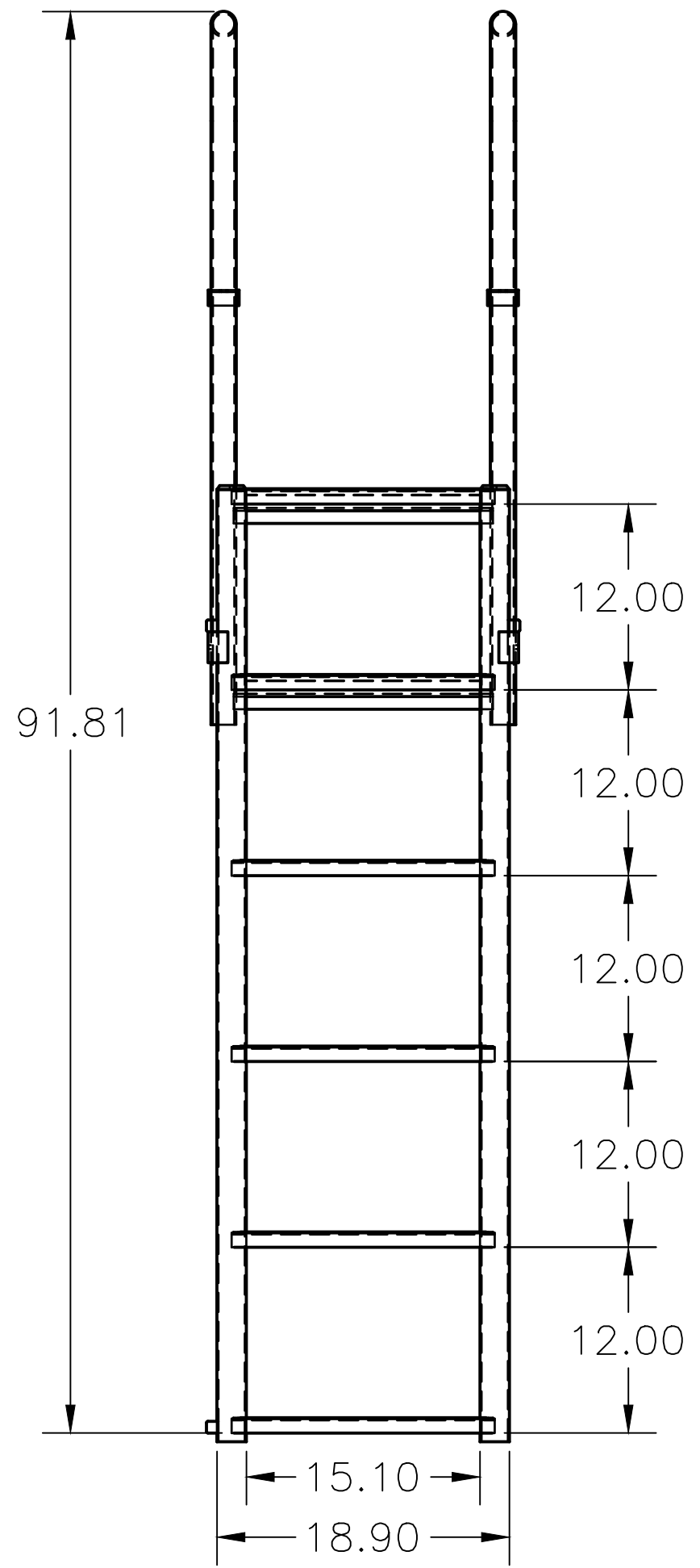


02.05.2024 6-step lift ladder assembly - No Lan. - Assembly.dwg

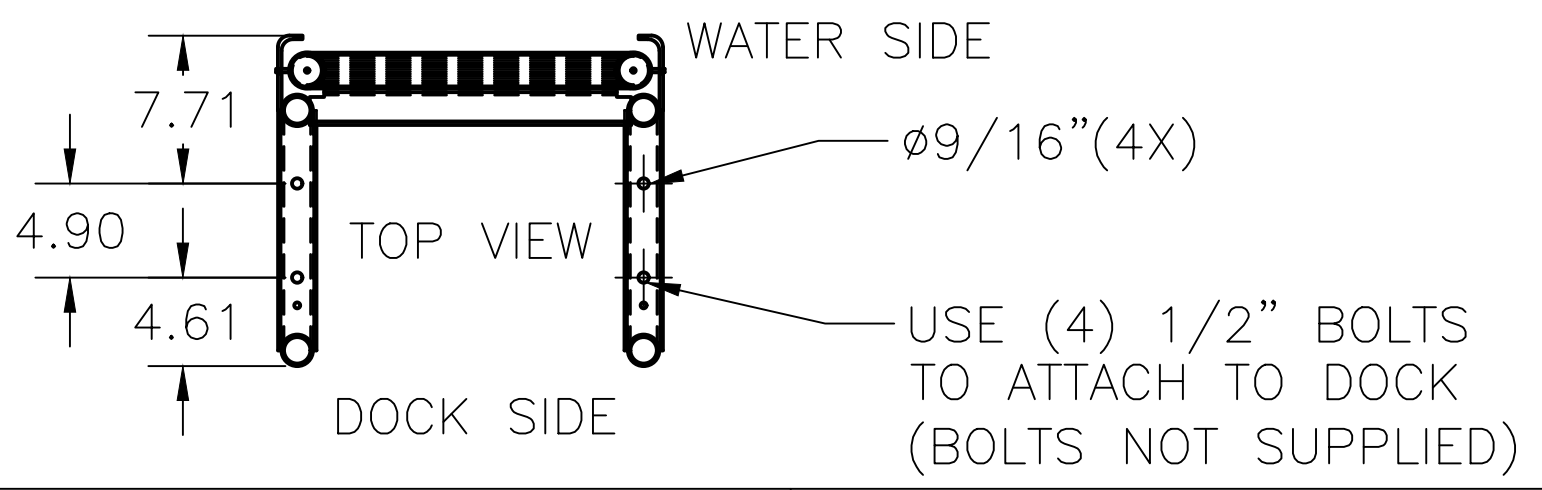
NOTES:

- 1. ALL UNITS ARE IN INCHES
- 2. MATERIAL AL 6063-T5
- 3. SEE INDIVIDUAL PART DRAWINGS FOR ADD'L DIMS

INTERNATIONAL DOCK PRODUCTS, INC. Pembroke Park, FL DOCKPRODUCTS.COM				
REVISIONS				
ZONE	REV	DESCRIPTION	DATE	APPROVED
NA	A	NEW RELEASE	4/30/2024	RK



UP AND DOWN POSITIONS



FILE NAME 6-step lift ladder assembly - No Lan. - Assembly.dwg					
CONTRACT NO NA		LADDER-LIFT-6			
DRAWN 3/12/2024					
CHECK					
APPR.					
ISSUED		SIZE C	FSCM NO -	DWG NO 6_ST_LIFT_LADDER_ASSY	REV A
		SCALE 1:1.0008	WEIGHT	SHEET 1 OF 1	

Roman

6-step wide lift ladder assembly.dwg

31.05.2024

Roman

NOTES:

- 1. ALL UNITS ARE IN INCHES
- 2. MATERIAL AL 6063-T5
- 3. SEE INDIVIDUAL PART DRAWINGS FOR ADD'L DIMS

INTERNATIONAL DOCK PRODUCTS, INC. Pembroke Park, FL DOCKPRODUCTS.COM				
REVISIONS				
ZONE	REV	DESCRIPTION	DATE	APPROVED
NA	A	NEW RELEASE	5/30/2024	RK

D

C

B

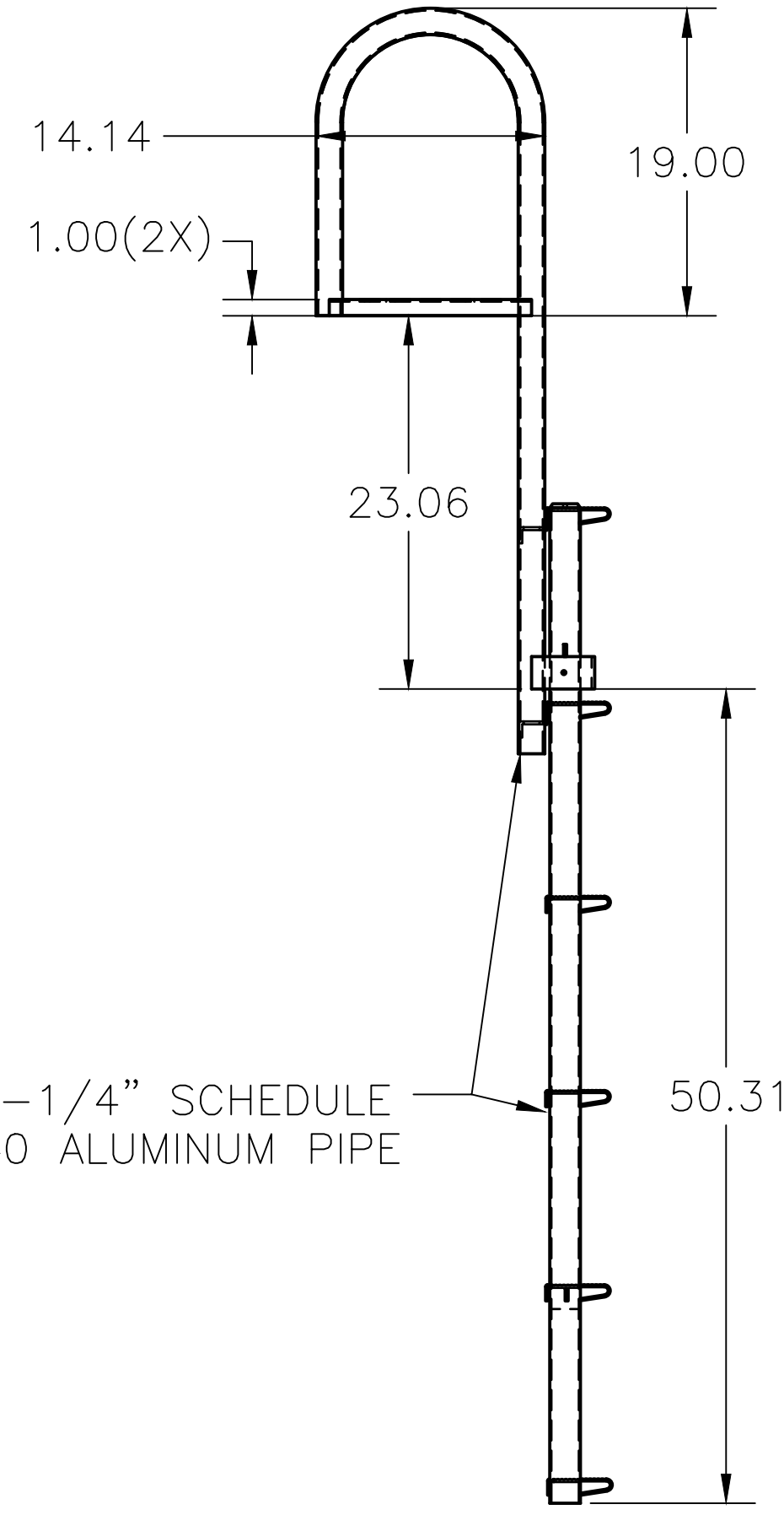
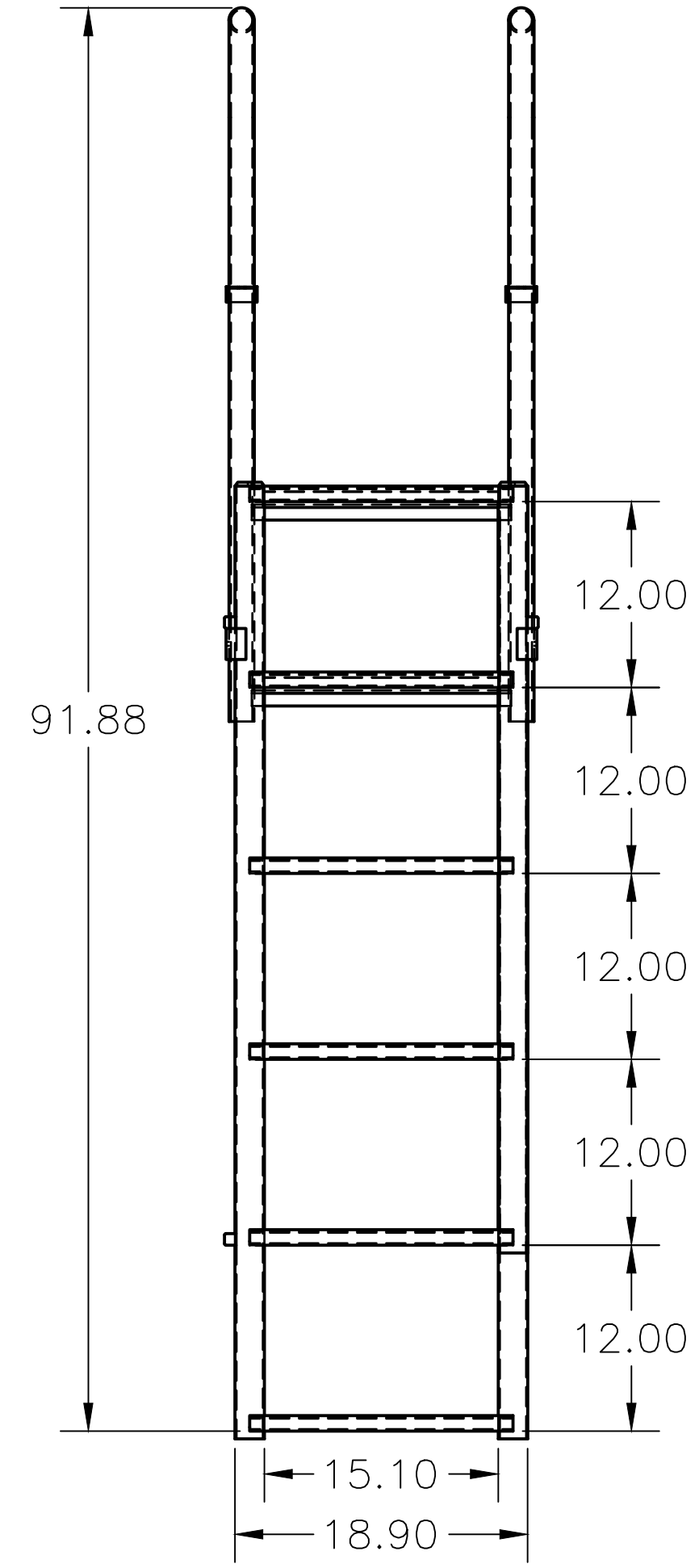
A

D

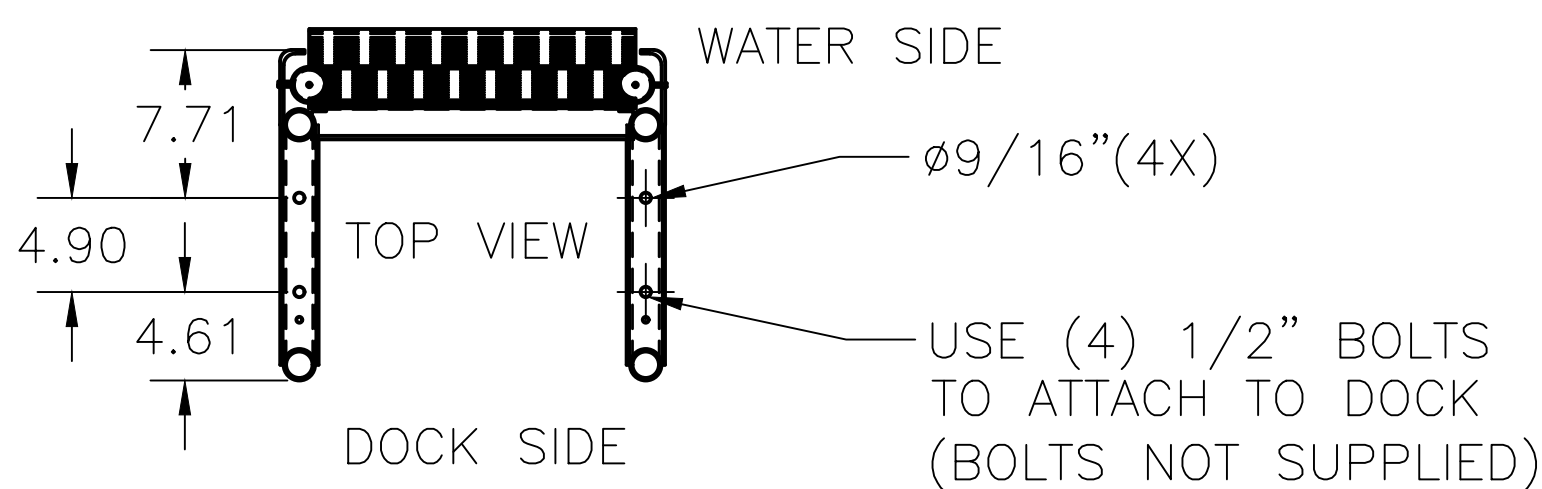
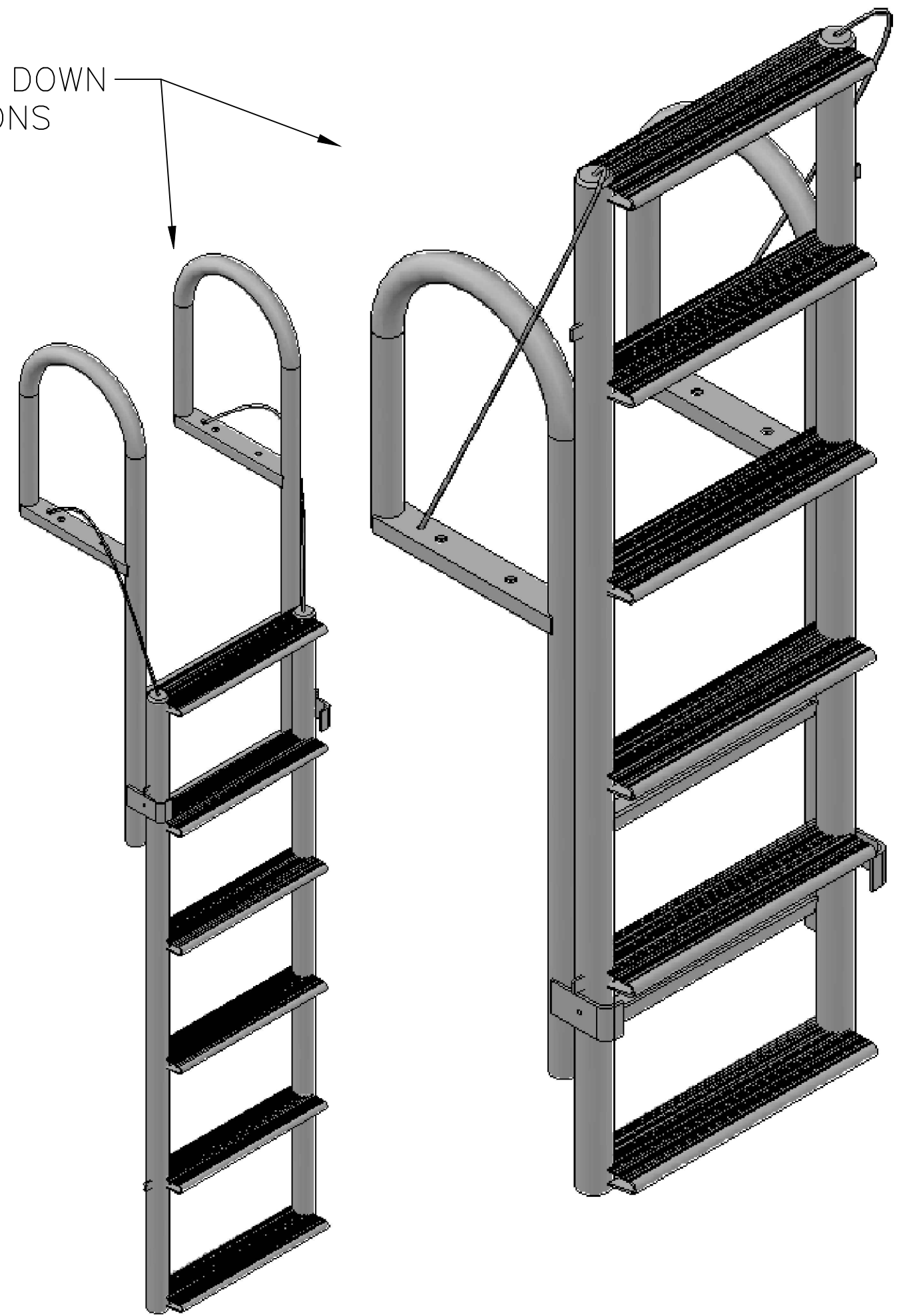
C

B

A



UP AND DOWN POSITIONS



FILE NAME 6-step wide lift ladder assembly.dwg			
CONTRACT NO NA			
DRAWN 3/12/2024			
CHECK			
APPR.			
ISSUED			
SIZE	FSCM NO	DWG NO	REV
C	-	6_ST_WIDE_LIFT_LADDER_ASSY	A
SCALE 1:1.0008		WEIGHT	SHEET 1 OF 1