

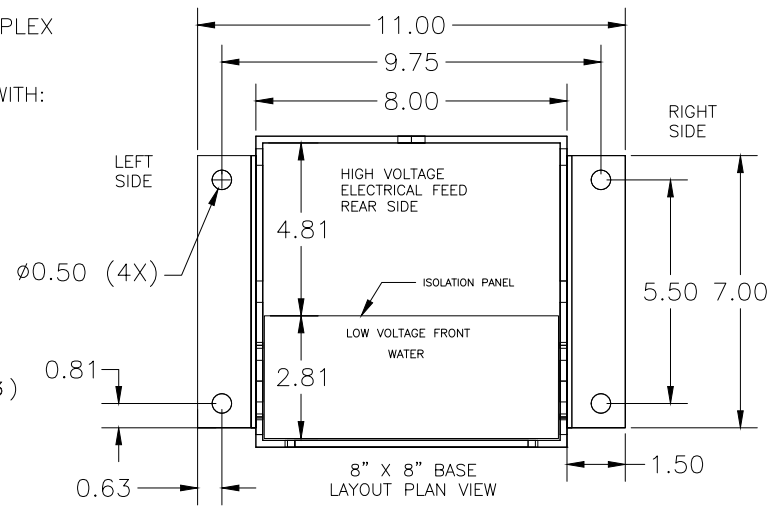
INTERNATIONAL DOCK PRODUCTS, INC.  
 Pembroke Park, FL  
[DOCKPRODUCTS.COM](http://DOCKPRODUCTS.COM)

REVISIONS				
ZONE	REV	DESCRIPTION	DATE	APPROVED
NA	A	NEW RELEASE	12/15/2023	RK

**SPB-41-4A**

- (1) 100 AMP 120/240V PIN & SLEEVE
- (1) 50 AMP 125/250V TWISTLOCK
- (1) 30 AMP 125V TWISTLOCK
- (1) 20 AMP GFCI DUPLEX
- (2) HOSE FAUCETS
- (1) HOSE HOLDER
- DIRECT FEED
- LED LIGHT AND PHOTOCELL

- CIRCUIT BREAKER PANEL WITH:
- (1) QOU 100 BREAKER (NON-GFI)
  - (1) QOU 250 BREAKER (NON-GFI)
  - (1) QOU 130 BREAKER (NON-GFI)
  - (1) QOU 120 BREAKER (NON-GFI)



**NOTES:**

PEDESTAL FABRICATED FROM 100% ALUMINUM CASING  
 8" X 8" X 41" X 1/8"

POWDER COATED WHITE TO MARINE SPECIFICATIONS

FILE NAME	SPB-41-4A		
CONTRACT NO	NA		
DRAWN	12/15/2023		
CHECK			
APPR.			
ISSUED			
SIZE	FSCM NO	DWG NO	REV
C	-	SPB-41-4A	A
SCALE	1:1.0008	WEIGHT	NA
		SHEET 1 OF 1	

