

SPB-41-4A-575-LED.dwg

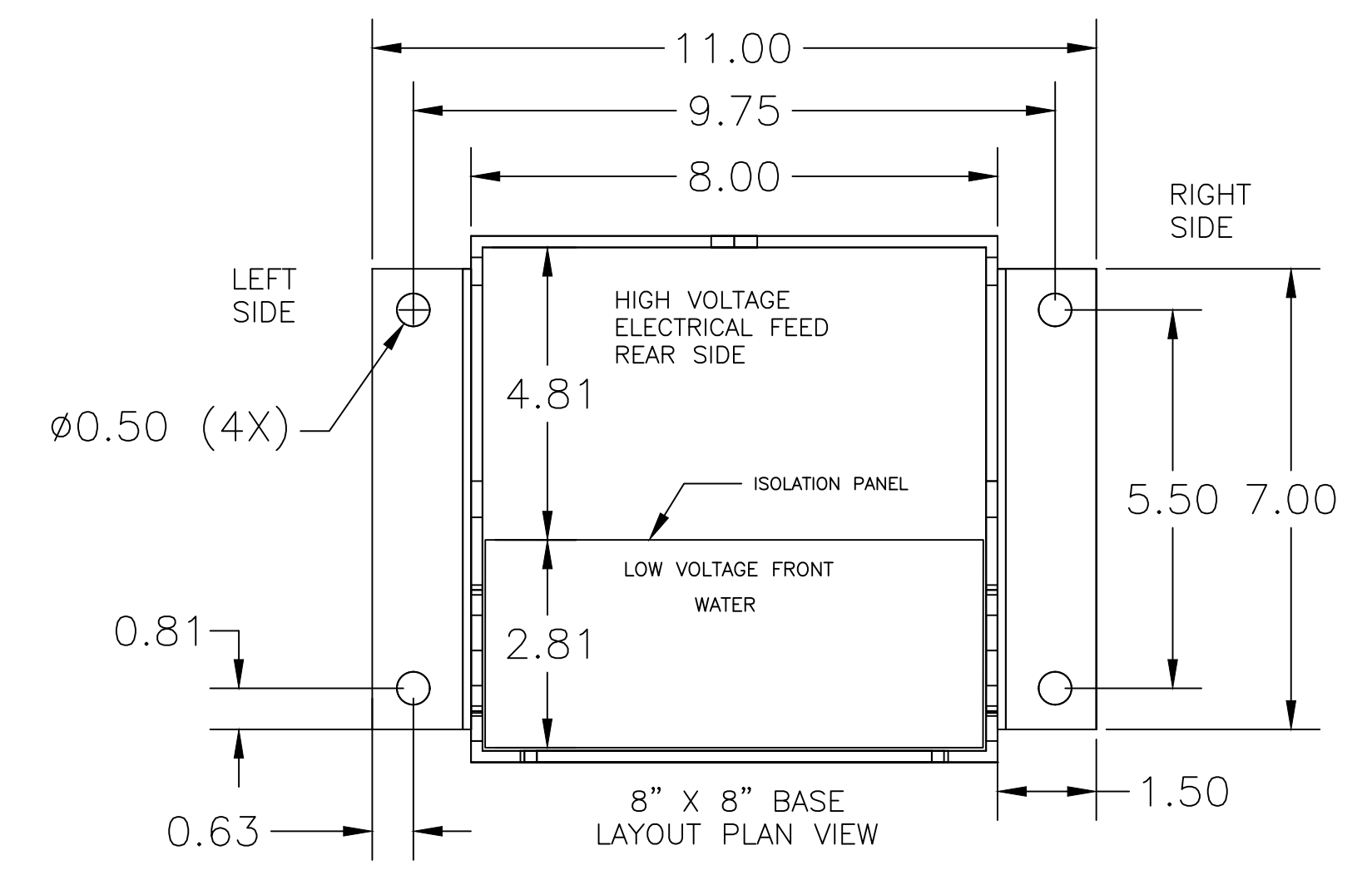
02.02.2024

Roman

INTERNATIONAL DOCK PRODUCTS, INC.
Pembroke Park, FL
DOCKPRODUCTS.COM

REVISIONS				
ZONE	REV	DESCRIPTION	DATE	APPROVED
NA	A	NEW RELEASE	2/2/2024	RK

- (2) 50 AMP 125/250V TWISTLOCK
- (2) 30 AMP 125V TWISTLOCK
- (2) HOSE FAUCETS
- (2) HOSE HOLDERS
- DIRECT FEED POWER DISTRIBUTION BLOCK
- LED LIGHT AND PHOTOCELL

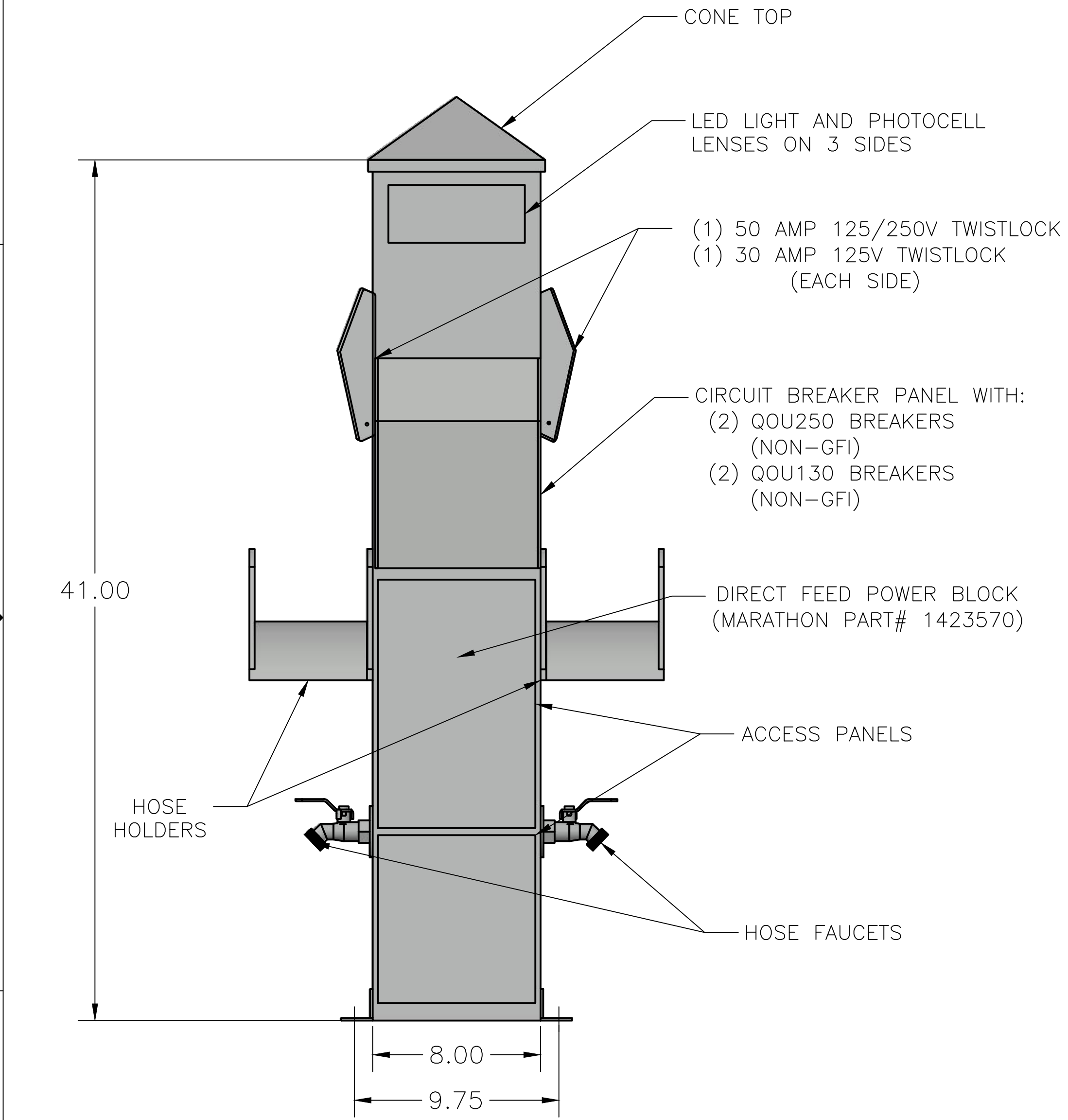


NOTES:

PEDESTAL FABRICATED FROM 100% ALUMINUM CASING
8" X 8" X 41" X 1/8"

POWDER COATED WHITE TO MARINE SPECIFICATIONS

FILE NAME SPB-41-4A-575-LED.dwg		PEDESTAL-SPB-41-4A2		
CONTRACT NO NA				
DRAWN 2/2/2024				
CHECK				
APPR.				
ISSUED				
SIZE C	FSCM NO -	DWG NO SPB-41-4A	REV A	
SCALE 1:1.0008		WEIGHT NA	SHEET 1 OF 1	



Client shall review and accept any engineering drawing prepared by International Dock Products, Inc. prior to commencing manufacturing of product.

ACCEPTED

CLIENT NAME: _____ CLIENT SIGNATURE: _____ DATE APPROVED: _____

D
C
B
A

D
C
B
A

4 3 2 1

4 3 2 1