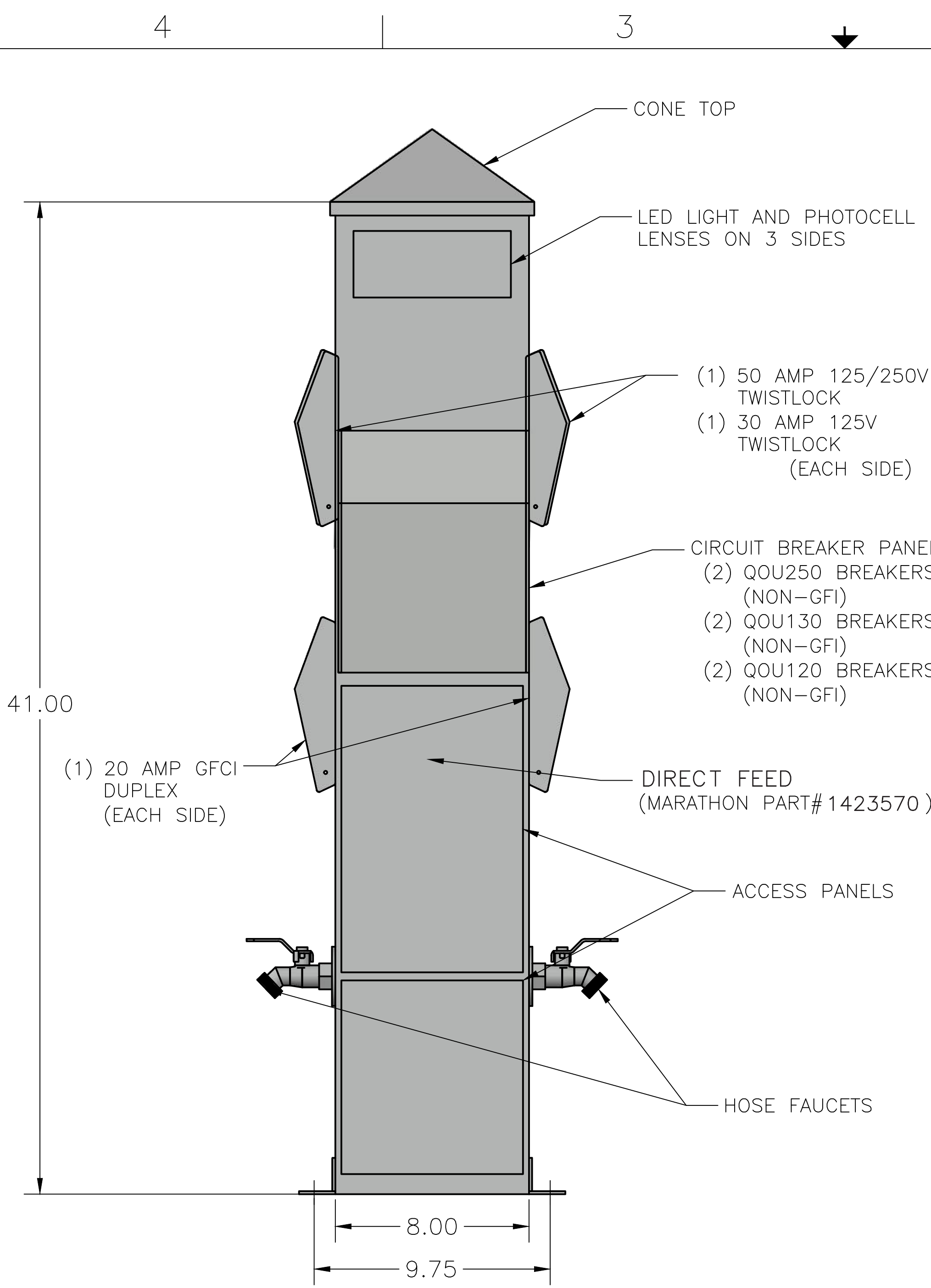


SPB-41-6A-392-LED.dwg

18.12.2023

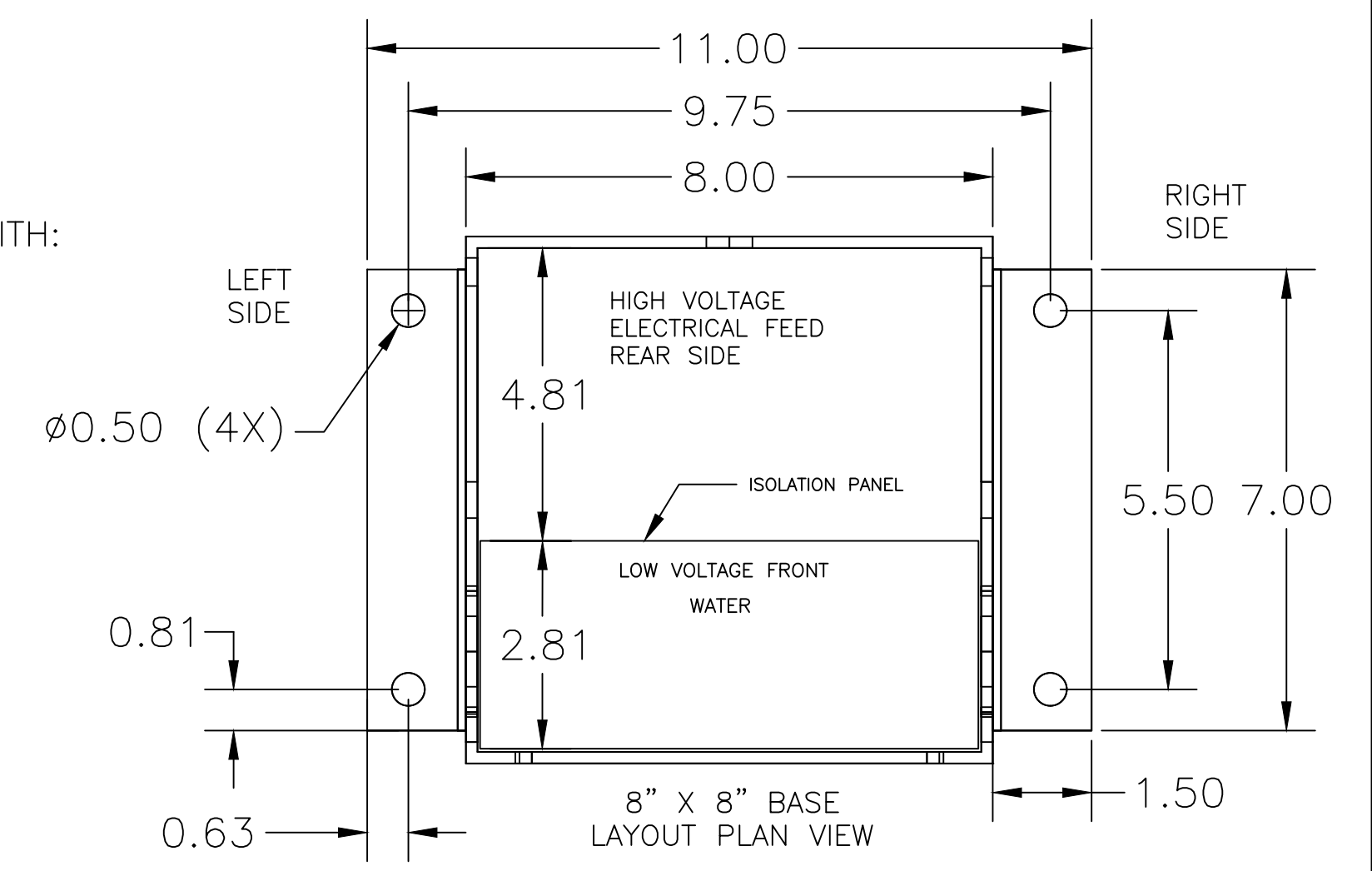
Roman



INTERNATIONAL DOCK PRODUCTS, INC.
 Pembroke Park, FL
DOCKPRODUCTS.COM

REVISIONS				
ZONE	REV	DESCRIPTION	DATE	APPROVED
NA	A	NEW RELEASE	12/18/2023	RK

SPB-41-6A
 (2) 50 AMP 125/250V TWISTLOCK
 (2) 30 AMP 125V TWISTLOCK
 (2) 20 AMP GFCI DUPLEX
 (2) HOSE FAUCETS
 DIRECT FEED
 LED LIGHT AND PHOTOCELL



NOTES:
 PEDESTAL FABRICATED FROM
 100% ALUMINUM CASING
 8" X 8" X 41" X 1/8"
 POWDER COATED WHITE TO
 MARINE SPECIFICATIO

FILE NAME	SPB-41-6A			
CONTRACT NO	NA			
DRAWN	12/15/2023			
CHECK				
APPR.				
ISSUED				
SIZE	FSCM NO	DWG NO	RFV	
C	-	SPB-41-6A	A	
SCALE	1:1.0008	WEIGHT	NA	SHEET 1 OF 1