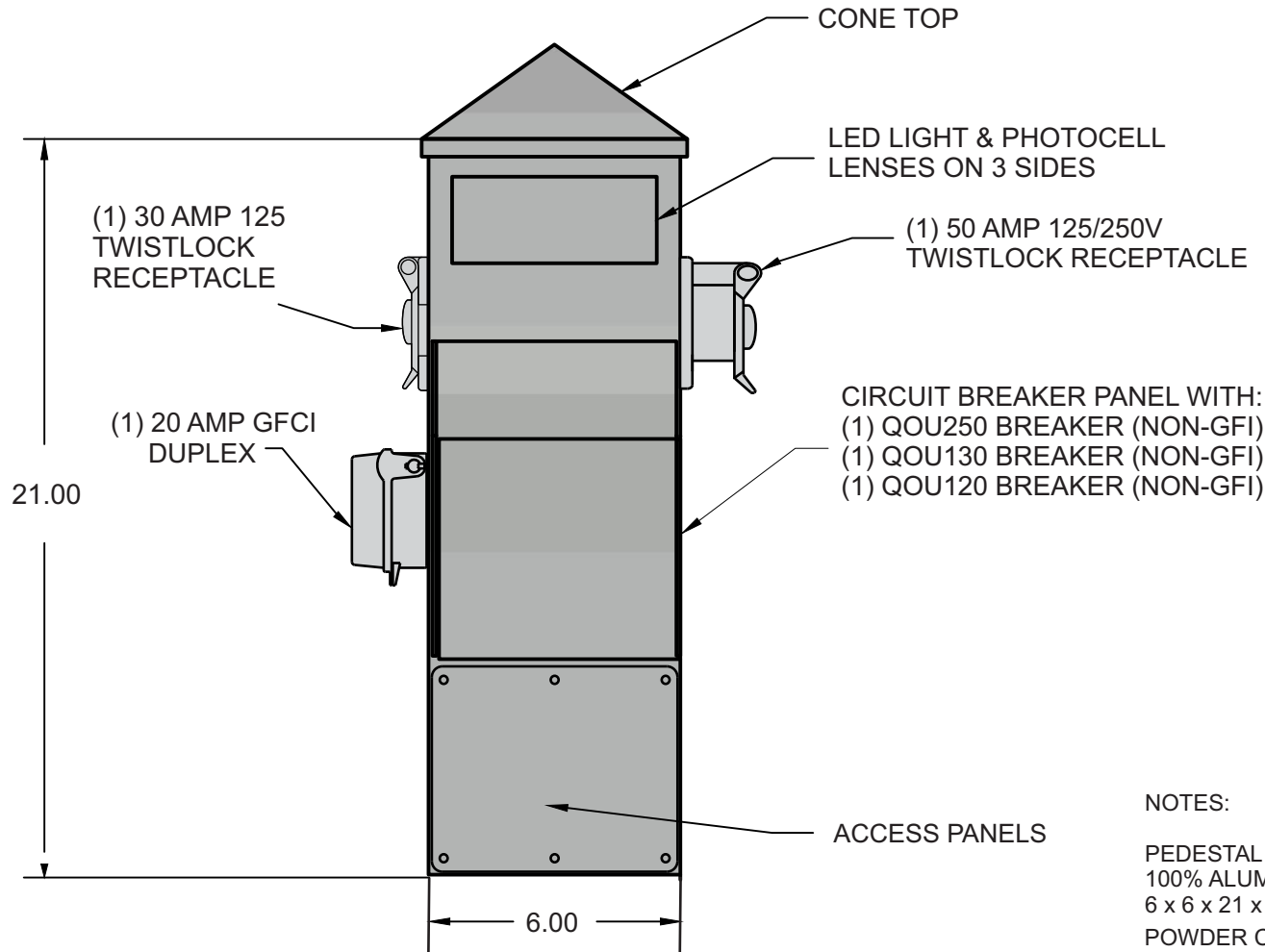


INTERNATIONAL DOCK PRODUCTS, INC.
 Pembroke Park, FL
DOCKPRODUCTS.COM

REVISIONS				
ZONE	REV	DESCRIPTION	DATE	APPROVED
NA	A	NEW RELEASE	6/24/2024	RK

SPC-21-3T

- (1) 50AMP 125/250 TWISTLOCK
- (1) 30 AMP 125V TWISTLOCK
- (1) 20 AMP GFCI DUPLEX
- DIRECT FEED DISTRIBUTION BLOCK
- LED LIGHT & PHOTOCELL



CIRCUIT BREAKER PANEL WITH:
 (1) QOU250 BREAKER (NON-GFI)
 (1) QOU130 BREAKER (NON-GFI)
 (1) QOU120 BREAKER (NON-GFI)

NOTES:

PEDESTAL FABRICATED FROM
 100% ALUMINUM CASING
 6 x 6 x 21 x 1/8 INCH
 POWDER COATED WHITE TO
 MARINE SPECIFICATIONS

CONTRACT NO NA	PEDESTAL-SPC-21-3T			
DRAWN 6/24/2024				
CHECK				
APPR.				
ISSUED				
	SIZE	FSCM NO	DWG NO	REV
			SPC-21-3T	A
	SCALE 1:1.0008	WEIGHT	SHEET 1 OF 1	

Client shall and accept any engineering drawing prepared by International Dock Products, Inc. prior to commencing manufacturing of product.

ACCEPTED

CLIENT NAME: _____ CLIENT SIGNATURE _____ DATE APPROVED: _____