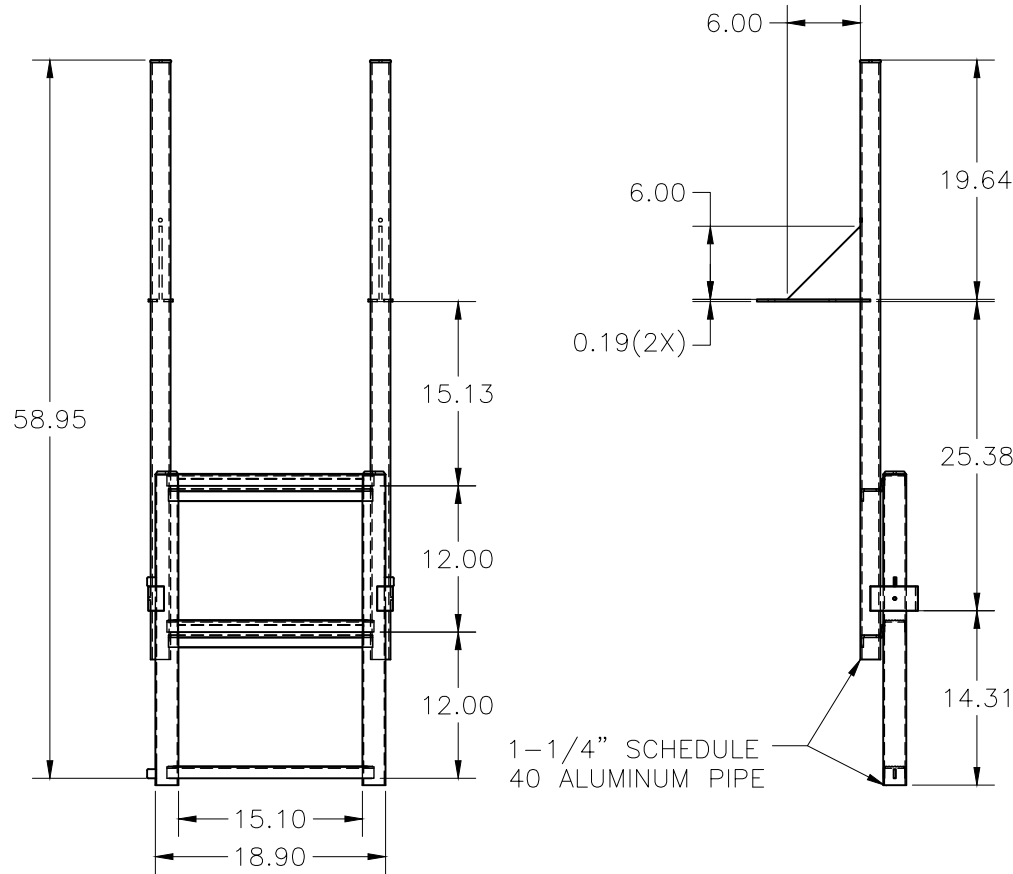


NOTES:

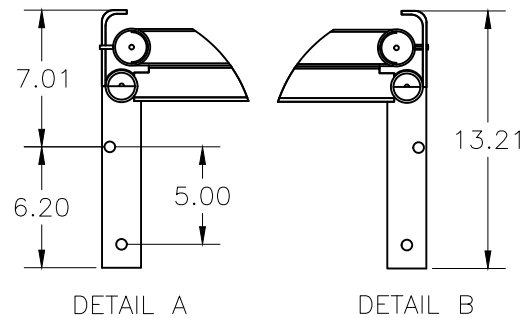
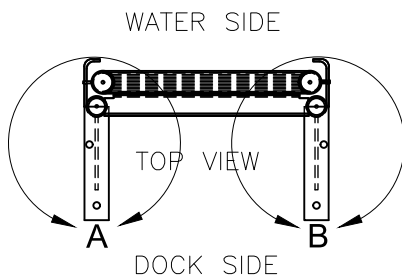
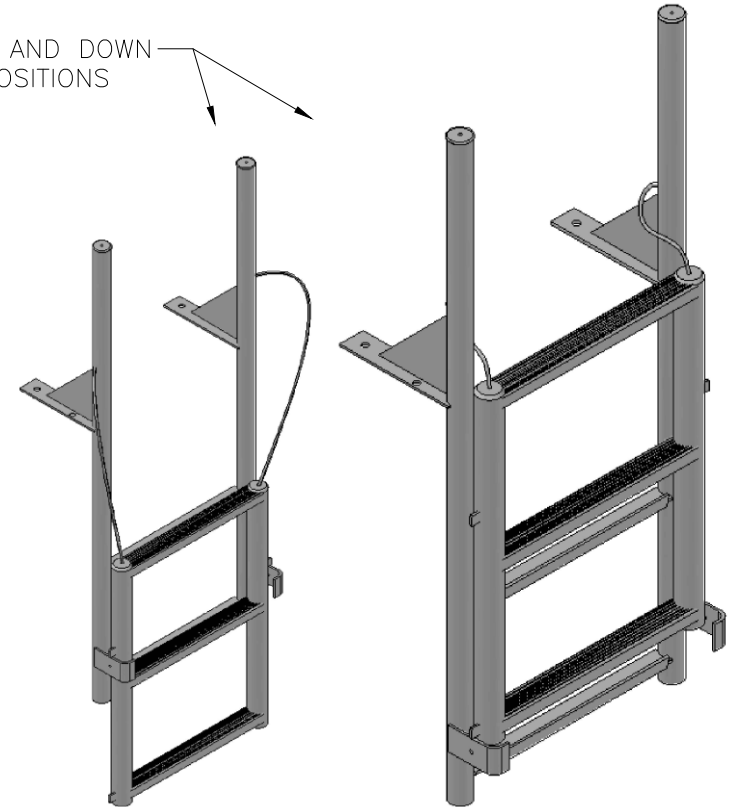
1. ALL UNITS ARE IN INCHES
2. MATERIAL AL 6063-T5
3. SEE INDIVIDUAL PART DRAWINGS FOR ADD'L DIMS

INTERNATIONAL DOCK PRODUCTS, INC.
 Pembroke Park, FL
DOCKPRODUCTS.COM

REVISIONS				
ZONE	REV	DESCRIPTION	DATE	APPROVED
NA	A	NEW RELEASE	9/27/2024	RK



UP AND DOWN
 POSITIONS



FILE NAME	3-step finger pier ladder assembly.dwg		
CONTRACT NO	NA		
DRAWN	3/12/2024	LADDER-FINGER PIER-3	
CHECK			
APPR.			
ISSUED			
SIZE	C	FSCM NO	-
DWG NO	3_ST_FP_LADDER_ASSY		REV
			A
SCALE	1:0.987	WEIGHT	SHEET 1 OF 1

3-step wide finger pier ladder assembly.dwg

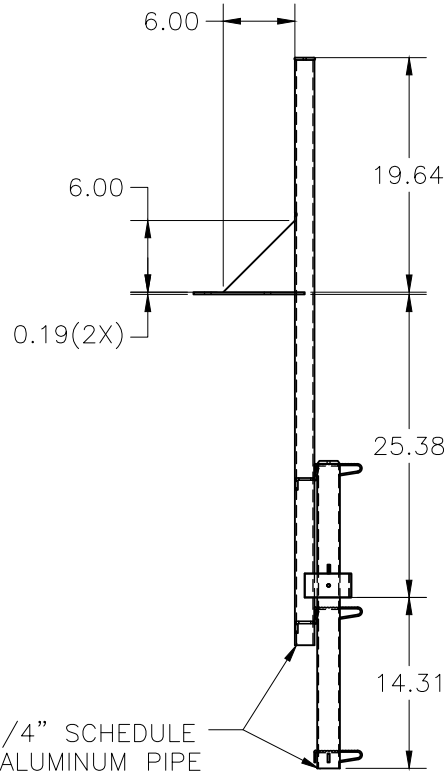
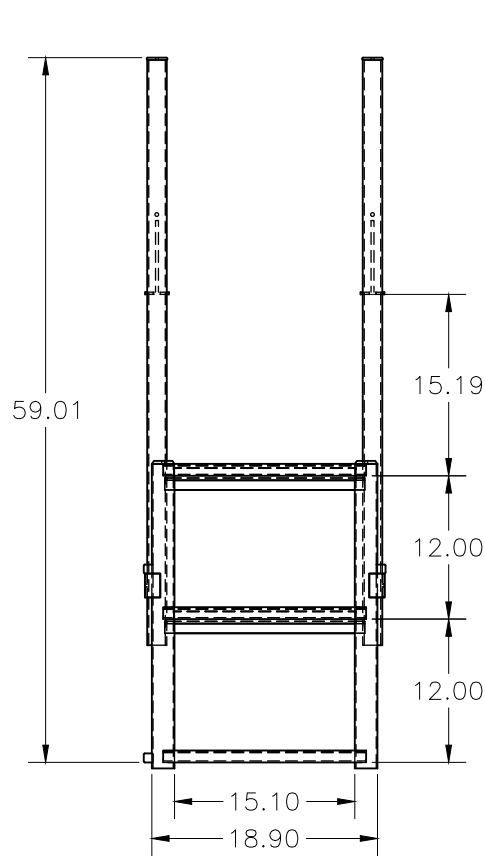
16.10.2024

Roman

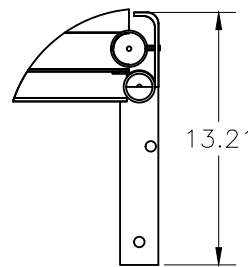
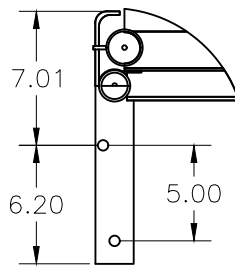
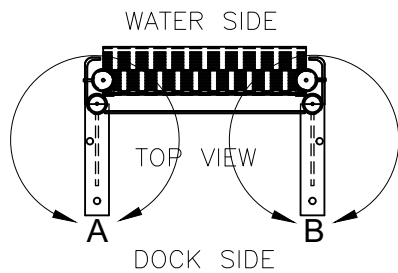
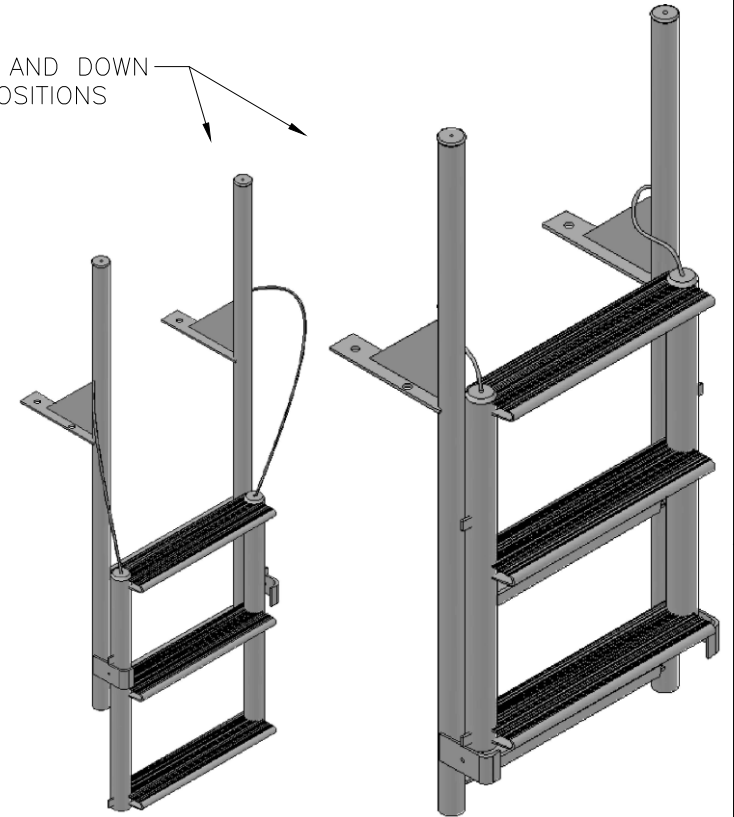
- NOTES:
1. ALL UNITS ARE IN INCHES
 2. MATERIAL AL 6063-T5
 3. SEE INDIVIDUAL PART DRAWINGS FOR ADD'L DIMS

INTERNATIONAL DOCK PRODUCTS, INC.
 Pembroke Park, FL
DOCKPRODUCTS.COM

REVISIONS				
ZONE	REV	DESCRIPTION	DATE	APPROVED
NA	A	NEW RELEASE	10/15/2024	RK



UP AND DOWN POSITIONS



DETAIL A

DETAIL B

FILE NAME 3-step wide finger pier ladder assembly.dwg			
CONTRACT NO NA			
DRAWN 3/12/2024			
CHECK			
APPR.			
ISSUED			
SIZE	FSCM NO	DWG NO	REV
C	-	3_ST_WIDE_FP_LADDER_ASSY	A
SCALE 1:0.987		WEIGHT	SHEET 1 OF 1

4

3

2

1

D

C

B

A

D

C

B

A