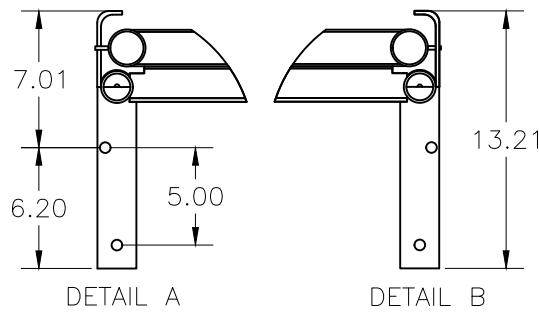
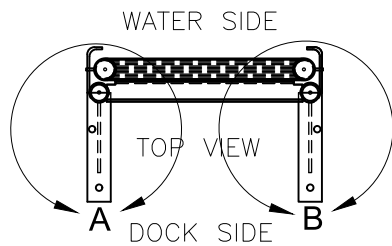
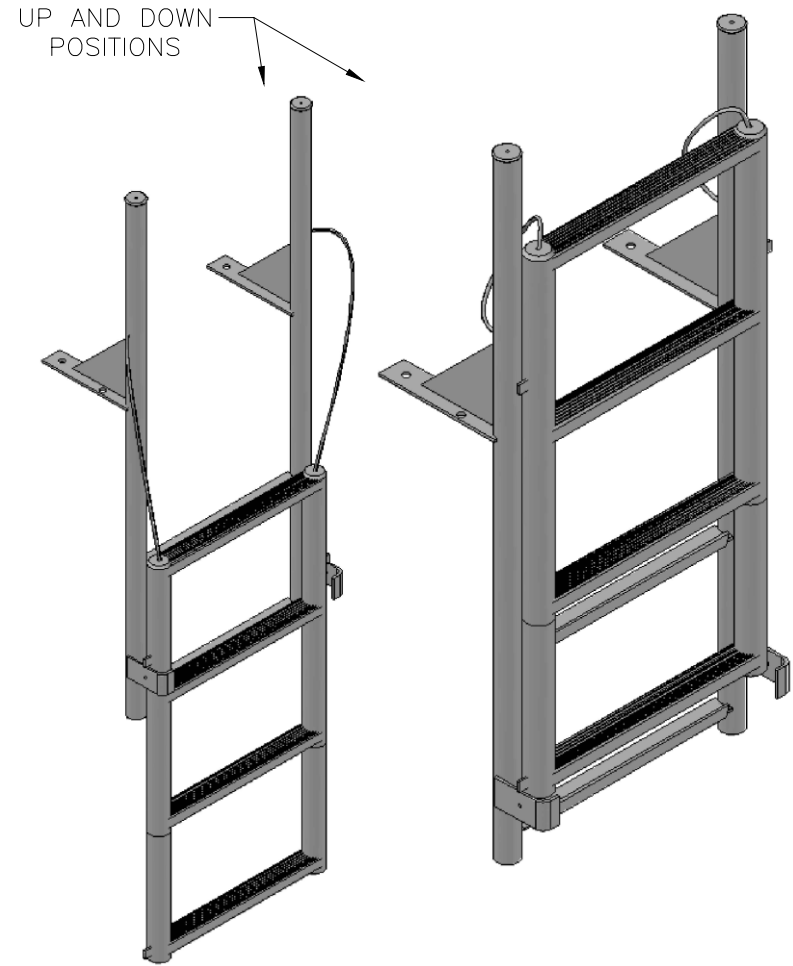
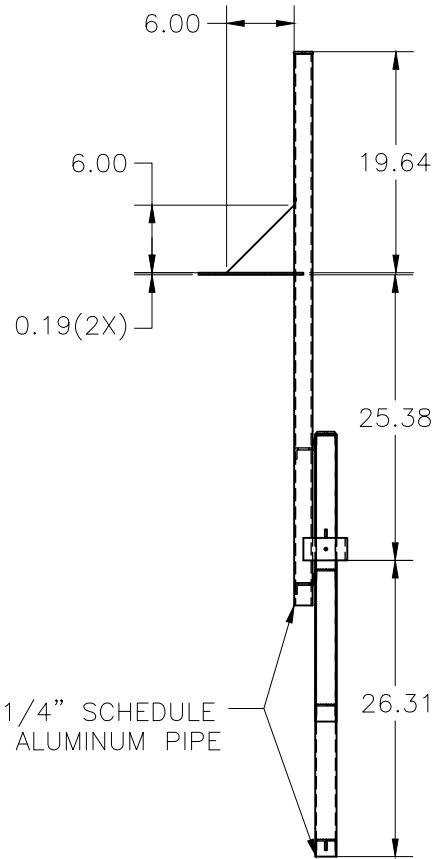
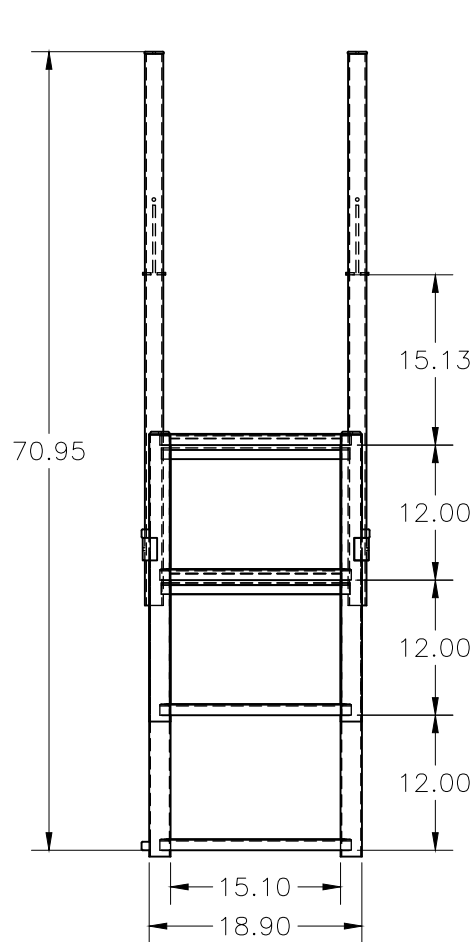


NOTES:

1. ALL UNITS ARE IN INCHES
2. MATERIAL AL 6063-T5
3. SEE INDIVIDUAL PART DRAWINGS FOR ADD'L DIMS

INTERNATIONAL DOCK PRODUCTS, INC.
 Pembroke Park, FL
 DOCKPRODUCTS.COM

REVISIONS				
ZONE	REV	DESCRIPTION	DATE	APPROVED
NA	A	NEW RELEASE	9/27/2024	RK



FILE NAME	4-step finger pier ladder assembly.dwg		
CONTRACT NO	NA		
DRAWN	3/12/2024		
CHECK			
APPR.			
ISSUED			
SIZE	FSCM NO	DWG NO	REV
C	-	4_ST_FP_LADDER_ASSY	A
SCALE	1:0.987	WEIGHT	SHEET 1 OF 1

4-step finger pier ladder assembly.dwg

10.10.2024

Roman

4

3

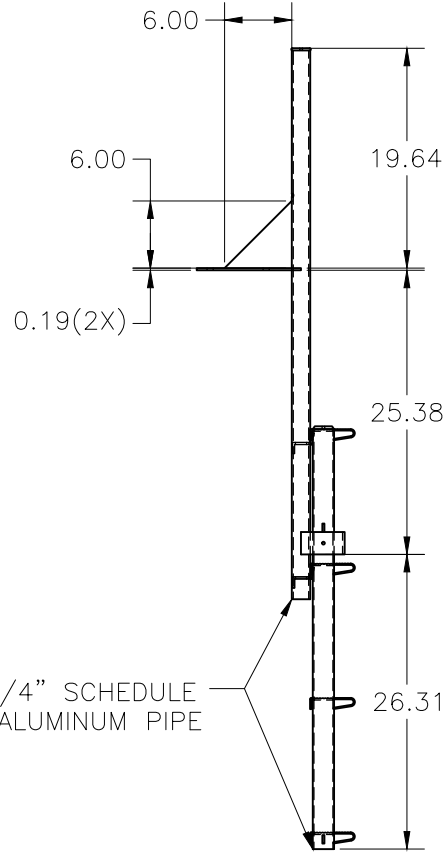
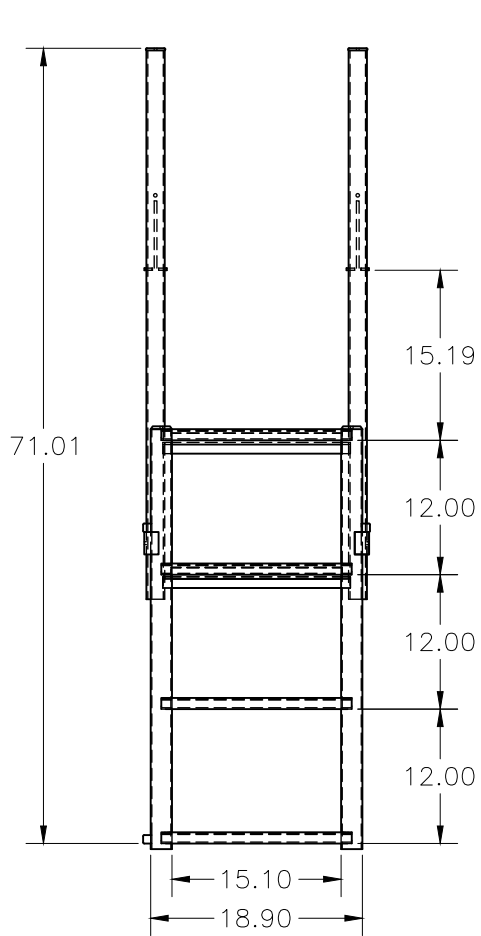
2

1

NOTES:

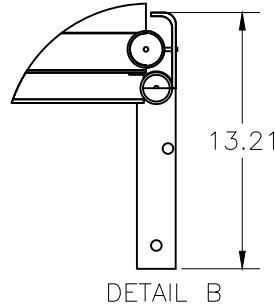
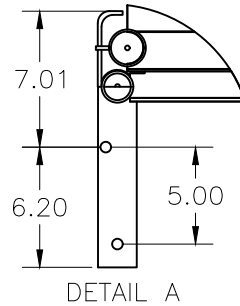
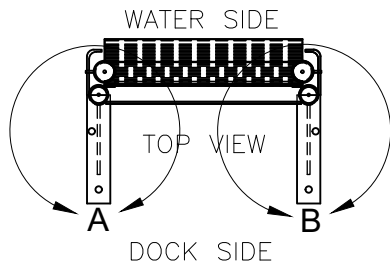
- 1. ALL UNITS ARE IN INCHES
- 2. MATERIAL AL 6063-T5
- 3. SEE INDIVIDUAL PART DRAWINGS FOR ADD'L DIMS

INTERNATIONAL DOCK PRODUCTS, INC. Pembroke Park, FL DOCKPRODUCTS.COM				
REVISIONS				
ZONE	REV	DESCRIPTION	DATE	APPROVED
NA	A	NEW RELEASE	10/17/2024	RK



1-1/4" SCHEDULE 40 ALUMINUM PIPE

UP AND DOWN POSITIONS



FILE NAME 4-step wide finger pier ladder assembly.dwg				
CONTRACT NO NA				
DRAWN 3/12/2024				
CHECK				
APPR.				
ISSUED				
SIZE	FSCM NO	DWG NO	REV	
C	-	4_ST_WIDE_FP_LADDER_ASSY	A	
SCALE 1:0.987		WEIGHT	SHEET 1 OF 1	

4

3

2

1

4-step wide finger pier ladder assembly.dwg

17.10.2024

Roman