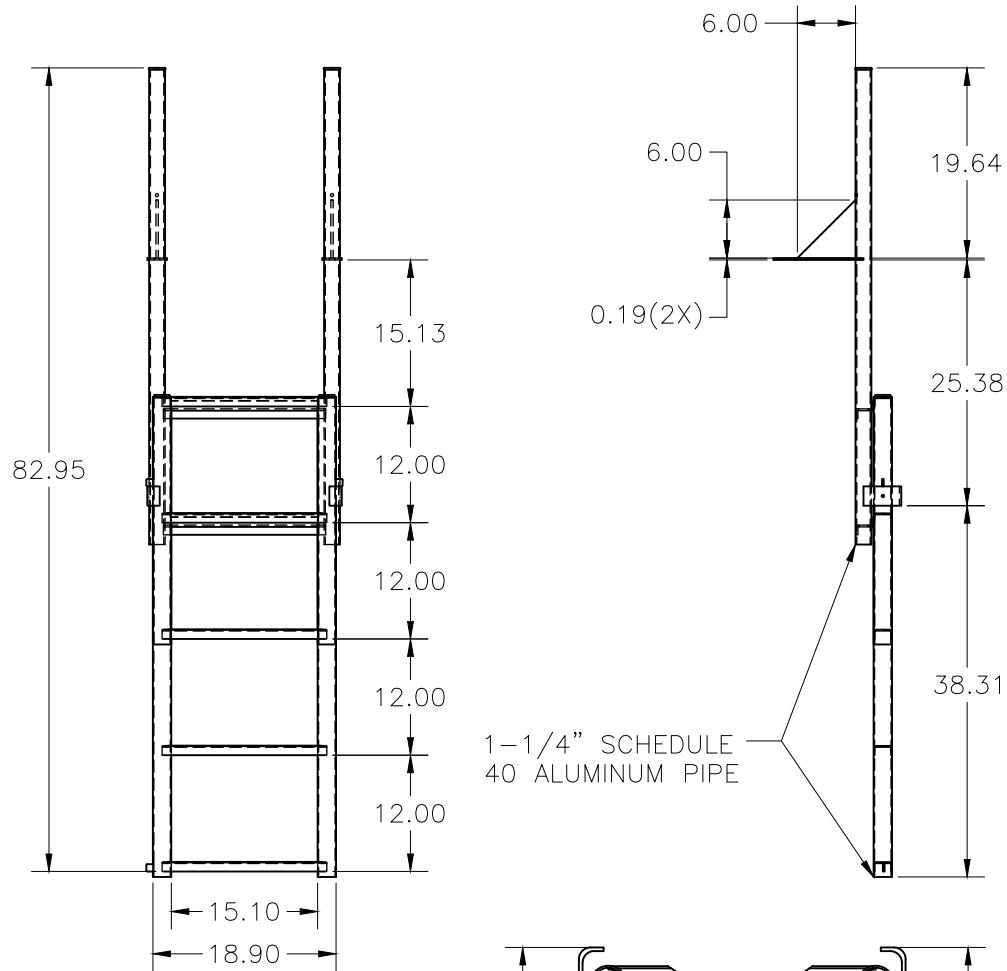
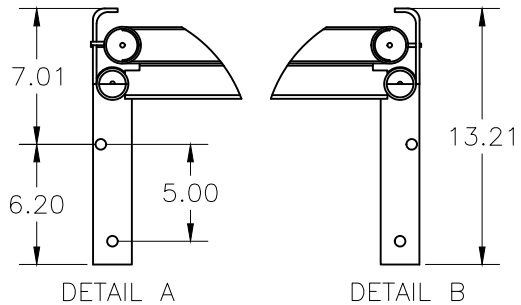
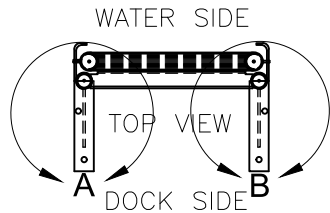
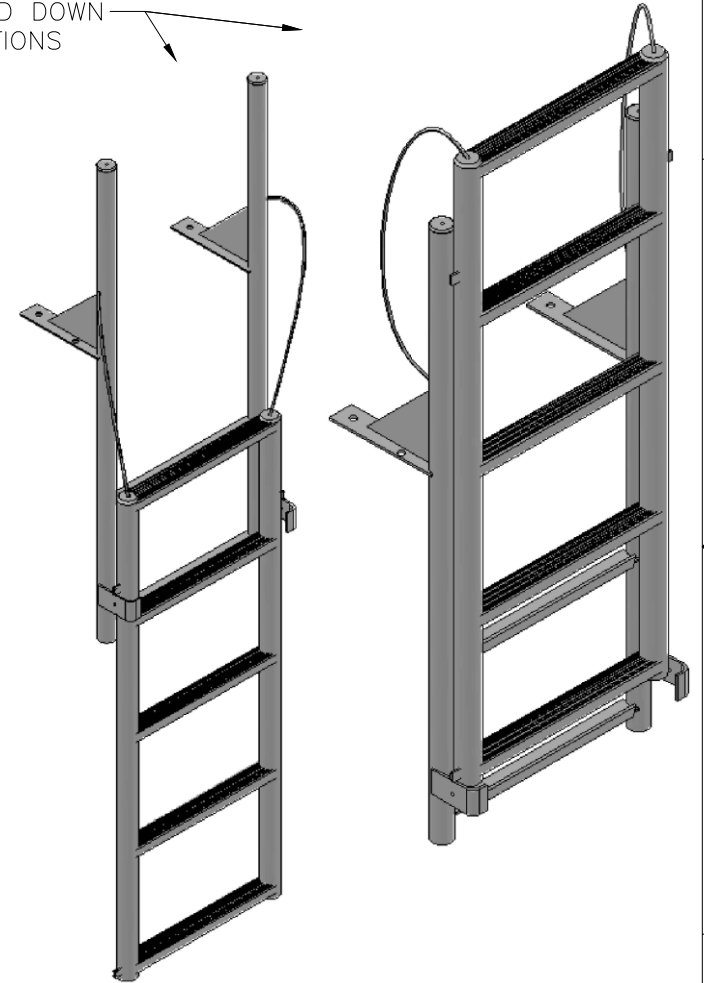


- NOTES:
 1. ALL UNITS ARE IN INCHES
 2. MATERIAL AL 6063-T5
 3. SEE INDIVIDUAL PART DRAWINGS FOR ADD'L DIMS

INTERNATIONAL DOCK PRODUCTS, INC. Pembroke Park, FL DOCKPRODUCTS.COM				
REVISIONS				
ZONE	REV	DESCRIPTION	DATE	APPROVED
NA	A	NEW RELEASE	10/2/2024	RK



UP AND DOWN POSITIONS



FILE NAME 5-step finger pier ladder assembly.dwg			
CONTRACT NO NA		LADDER-FINGER PIER-5	
DRAWN 3/12/2024			
CHECK			
APPR.			
ISSUED			
SIZE	FSCM NO	DWG NO	REV
C	-	5_ST_FP_LADDER_ASSY	A
SCALE 1:0.987		WEIGHT	SHEET 1 OF 1

10.10.2024 5-step finger pier ladder assembly.dwg

Roman

5-step wide finger pier ladder assembly.dwg

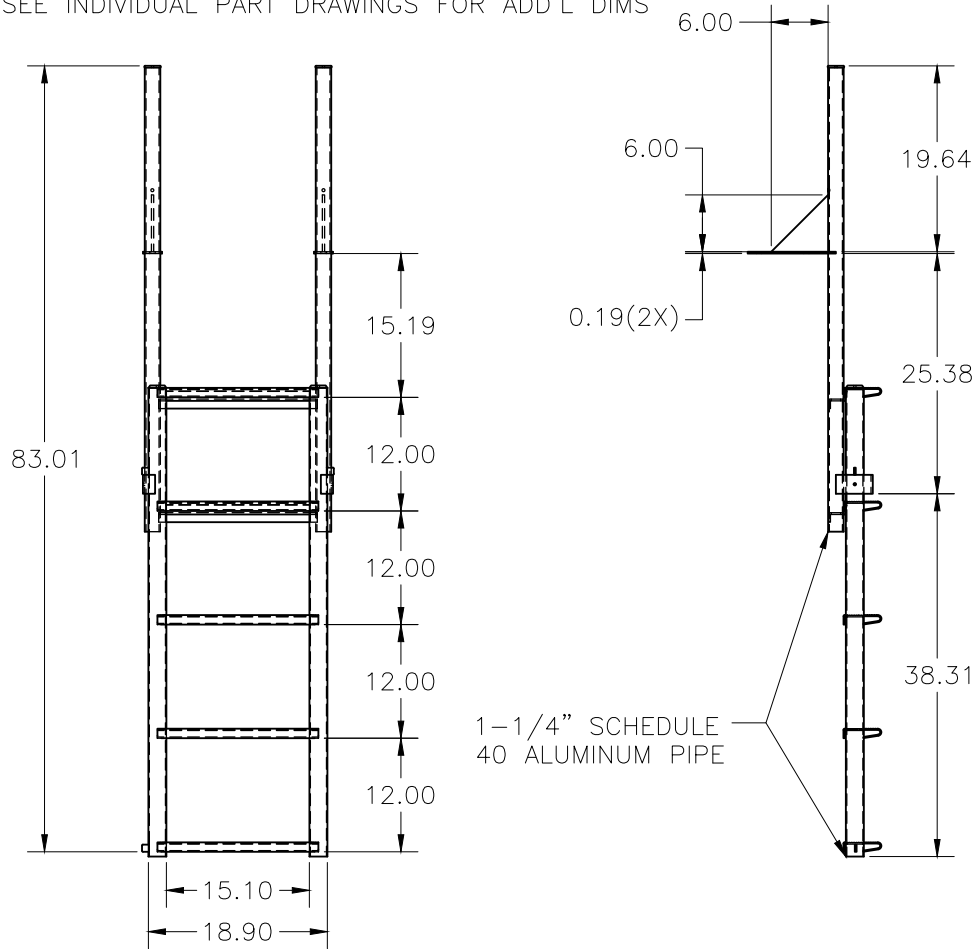
17.10.2024

Roman

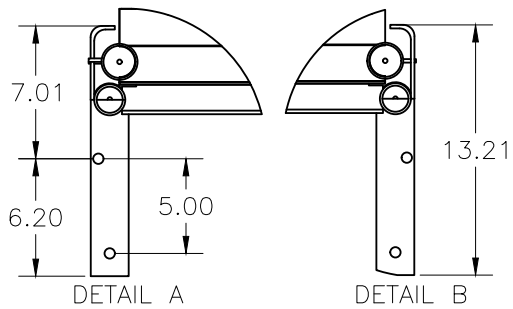
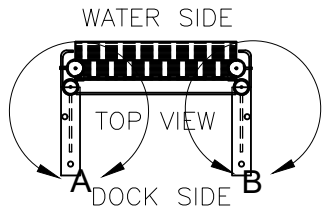
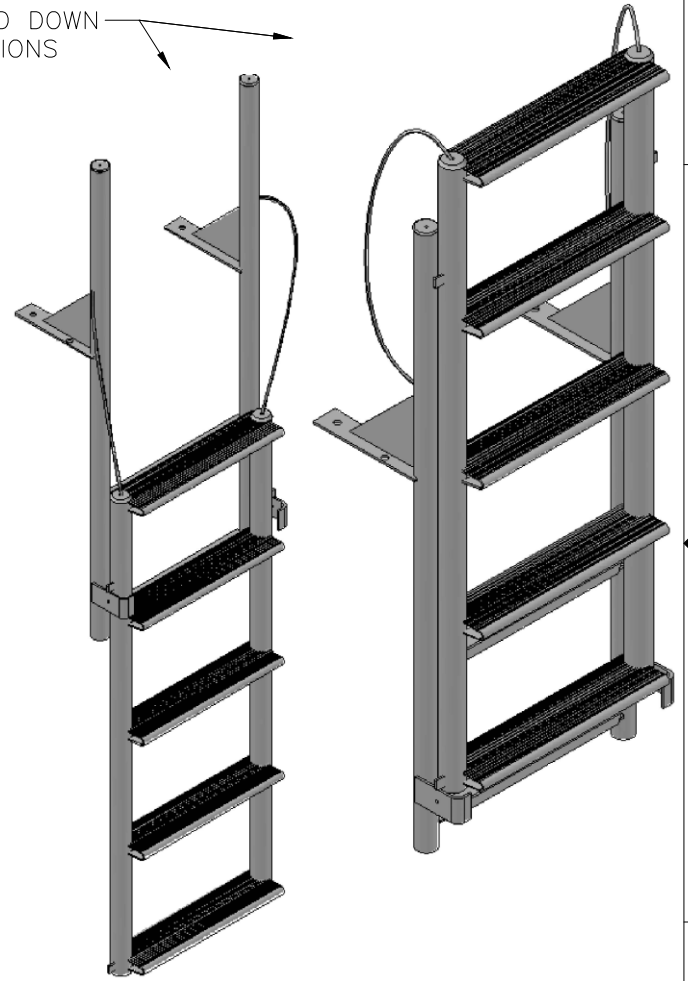
- NOTES:
1. ALL UNITS ARE IN INCHES
 2. MATERIAL AL 6063-T5
 3. SEE INDIVIDUAL PART DRAWINGS FOR ADD'L DIMS

INTERNATIONAL DOCK PRODUCTS, INC.
 Pembroke Park, FL
DOCKPRODUCTS.COM

REVISIONS				
ZONE	REV	DESCRIPTION	DATE	APPROVED
NA	A	NEW RELEASE	10/17/2024	RK



UP AND DOWN
POSITIONS



FILE NAME 5-step wide finger pier ladder assembly.dwg				
CONTRACT NO NA				
DRAWN 3/12/2024				
CHECK				
APPR.				
ISSUED				
SIZE	FSCM NO	DWG NO	REV	
C	-	5_ST_WIDE_FP_LADDER_ASSY	A	
SCALE 1:0.987		WEIGHT	SHEET 1 OF 1	

4

3

2

1

4

3

2

1