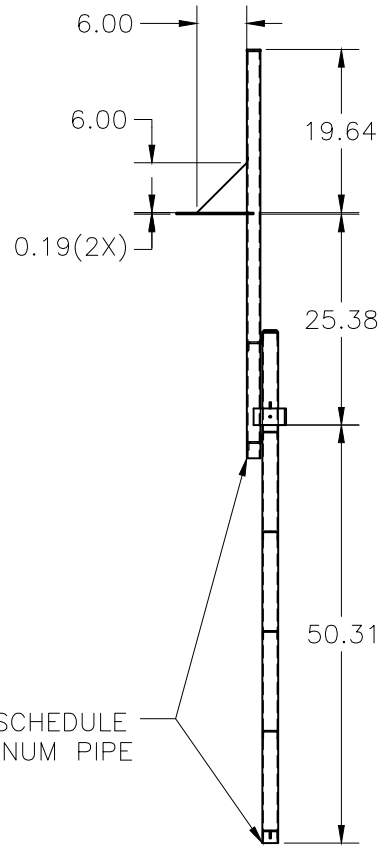
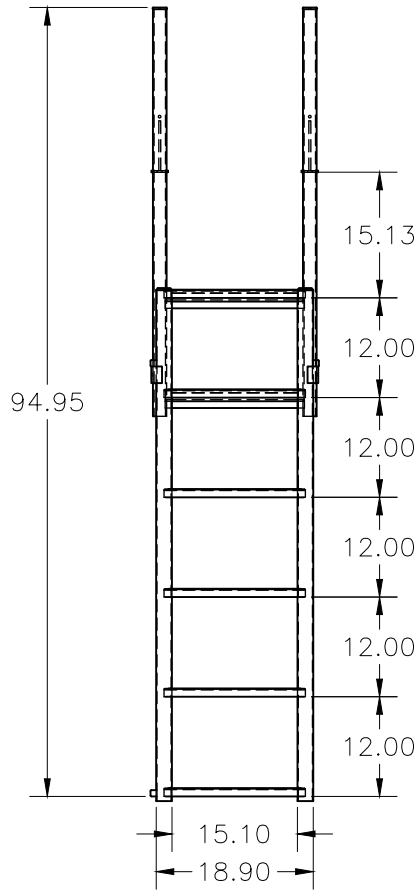


NOTES:

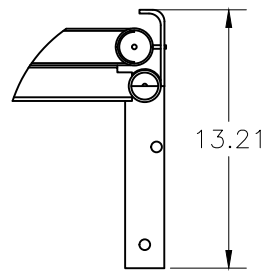
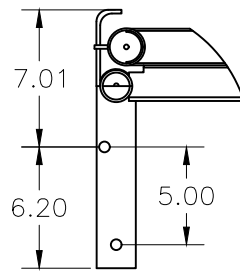
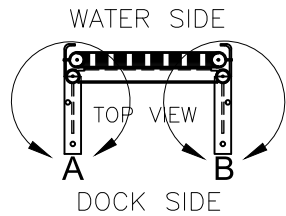
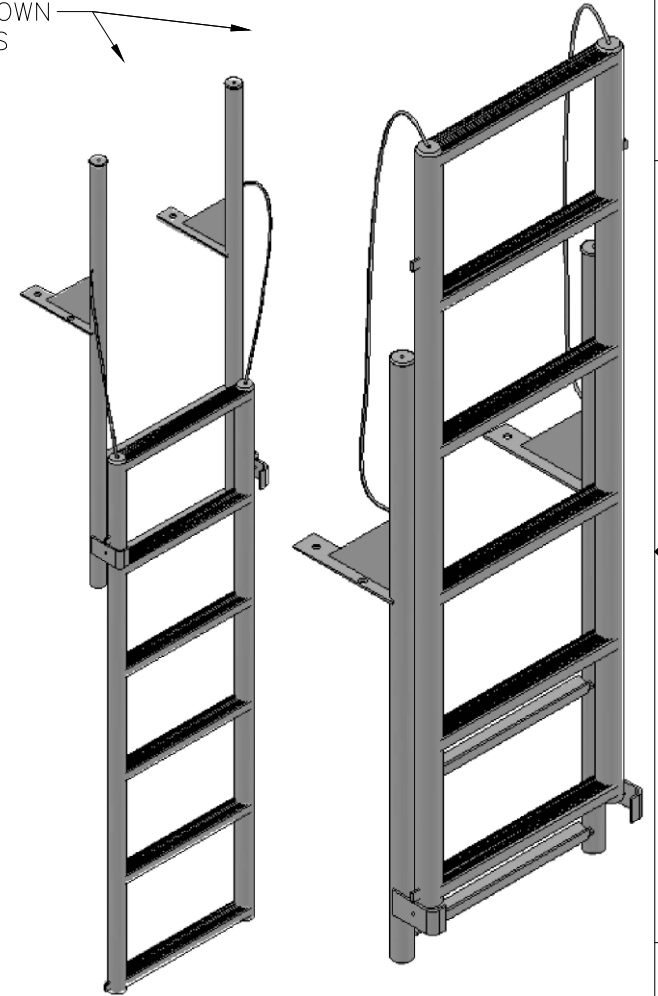
1. ALL UNITS ARE IN INCHES
2. MATERIAL AL 6063-T5
3. SEE INDIVIDUAL PART DRAWINGS FOR ADD'L DIMS

INTERNATIONAL DOCK PRODUCTS, INC.
 Pembroke Park, FL
DOCKPRODUCTS.COM

REVISIONS				
ZONE	REV	DESCRIPTION	DATE	APPROVED
NA	A	NEW RELEASE	10/2/2024	RK



UP AND DOWN POSITIONS



FILE NAME	6-step finger pier ladder assembly.dwg			
CONTRACT NO	NA			
DRAWN	3/12/2024			
CHECK				
APPR.				
ISSUED				
SIZE	FSCM NO	DWG NO	REV	
C	-	6_ST_FP_LADDER_ASSY	A	
SCALE	1:0.987	WEIGHT	SHEET 1 OF 1	

6-step finger pier ladder assembly.dwg

10.10.2024

Roman

4

3

2

1

NOTES:

- 1. ALL UNITS ARE IN INCHES
- 2. MATERIAL AL 6063-T5
- 3. SEE INDIVIDUAL PART DRAWINGS FOR ADD'L DIMS

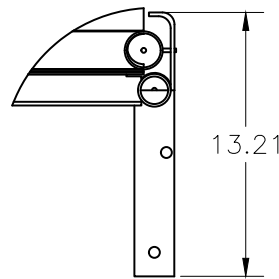
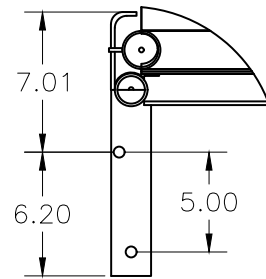
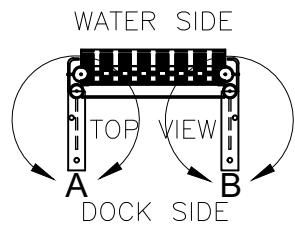
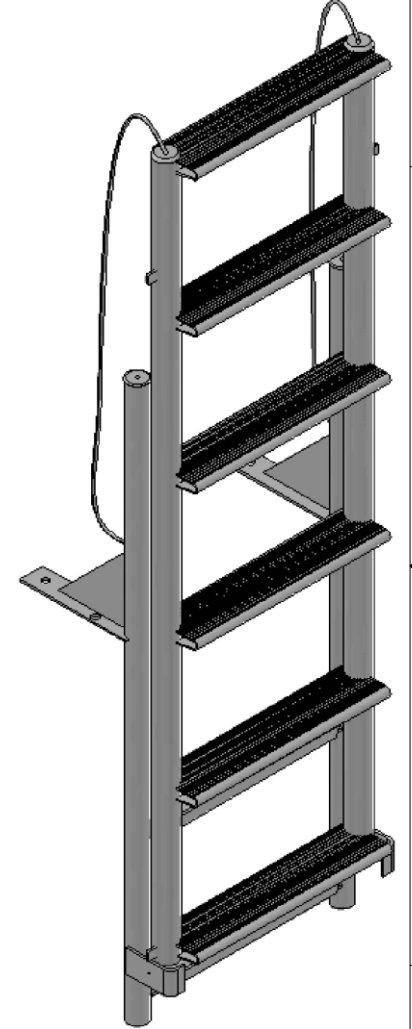
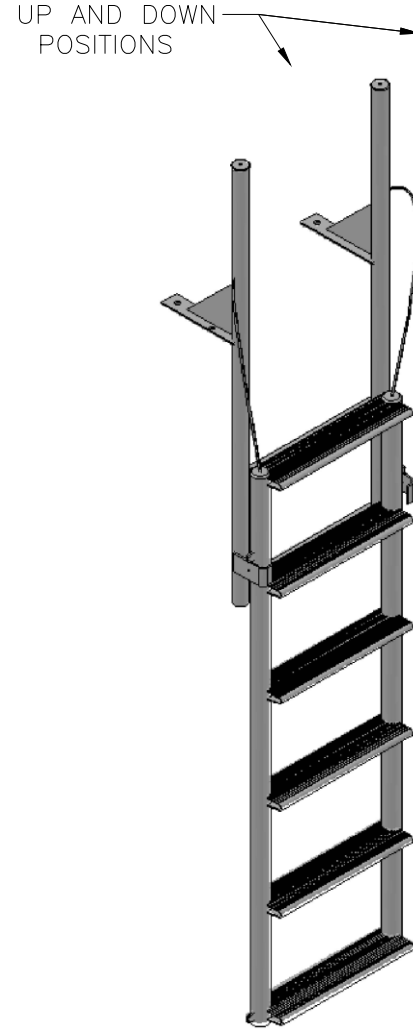
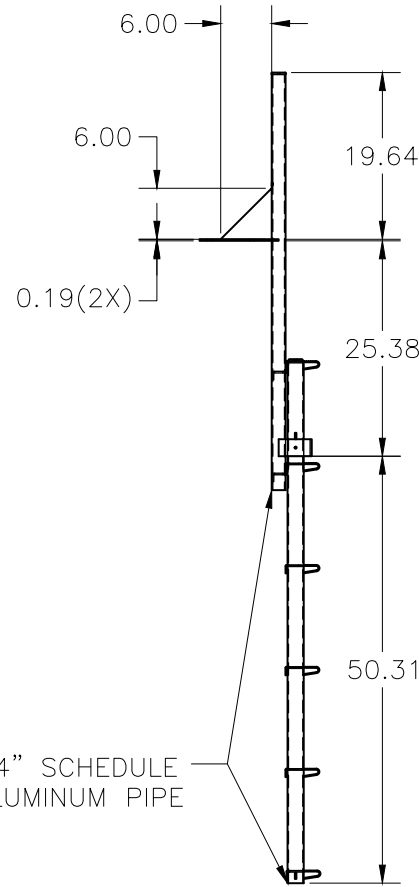
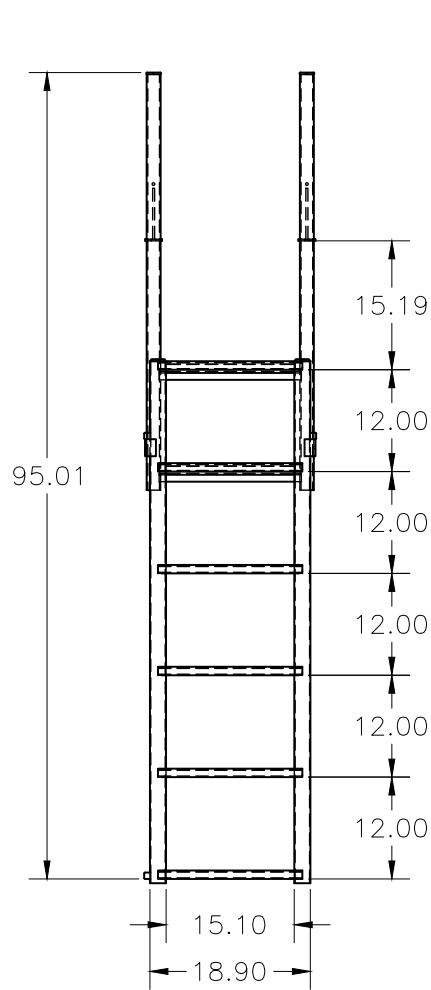
INTERNATIONAL DOCK PRODUCTS, INC.

Pembroke Park, FL

DOCKPRODUCTS.COM

REVISIONS

ZONE	REV	DESCRIPTION	DATE	APPROVED
NA	A	NEW RELEASE	10/18/2024	RK



DETAIL A

DETAIL B

FILE NAME 6-step wide finger pier ladder assembly.dwg			
CONTRACT NO NA			
DRAWN 3/12/2024			
CHECK			
APPR.			
ISSUED			
LADDER-FINGER PIER-6-WIDE			
SIZE C	FSCM NO -	DWG NO 6_ST_WIDE_FP_LADDER_ASSY	REV A
SCALE 1:0.987		WEIGHT	SHEET 1 OF 1

4

3

2

1

0 step wide finger pier ladder assembly.dwg

A

A

D

D

C

C

B

B

A

A