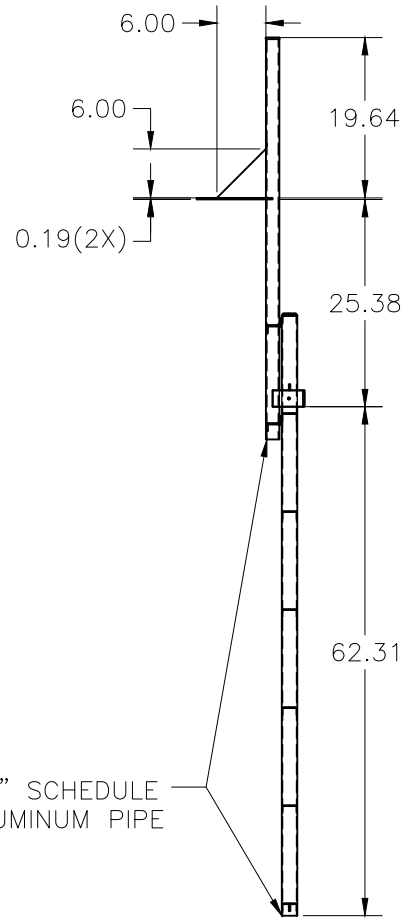
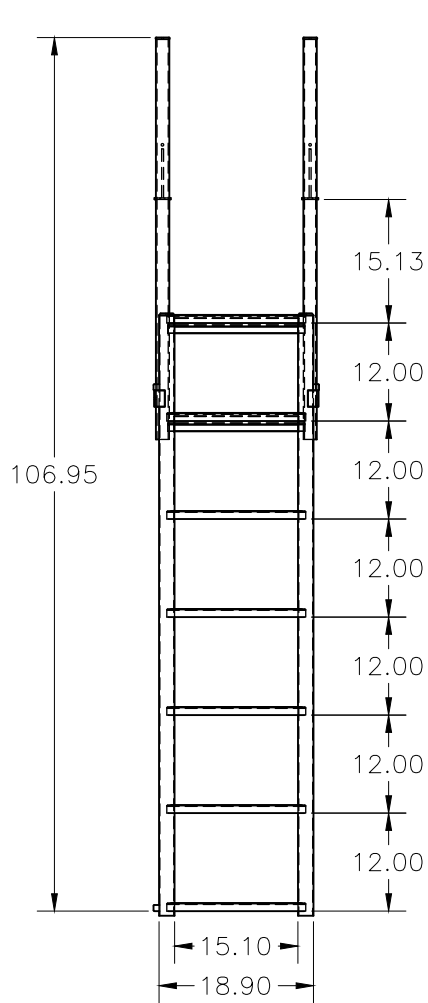


NOTES:

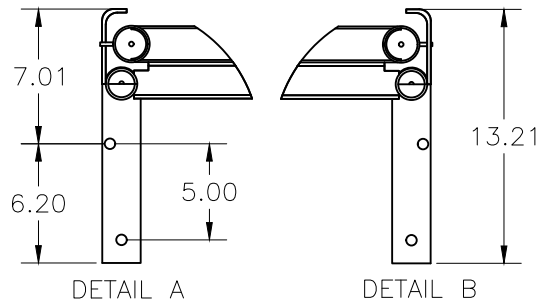
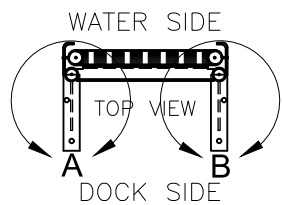
1. ALL UNITS ARE IN INCHES
2. MATERIAL AL 6063-T5
3. SEE INDIVIDUAL PART DRAWINGS FOR ADD'L DIMS

INTERNATIONAL DOCK PRODUCTS, INC.
 Pembroke Park, FL
 DOCKPRODUCTS.COM

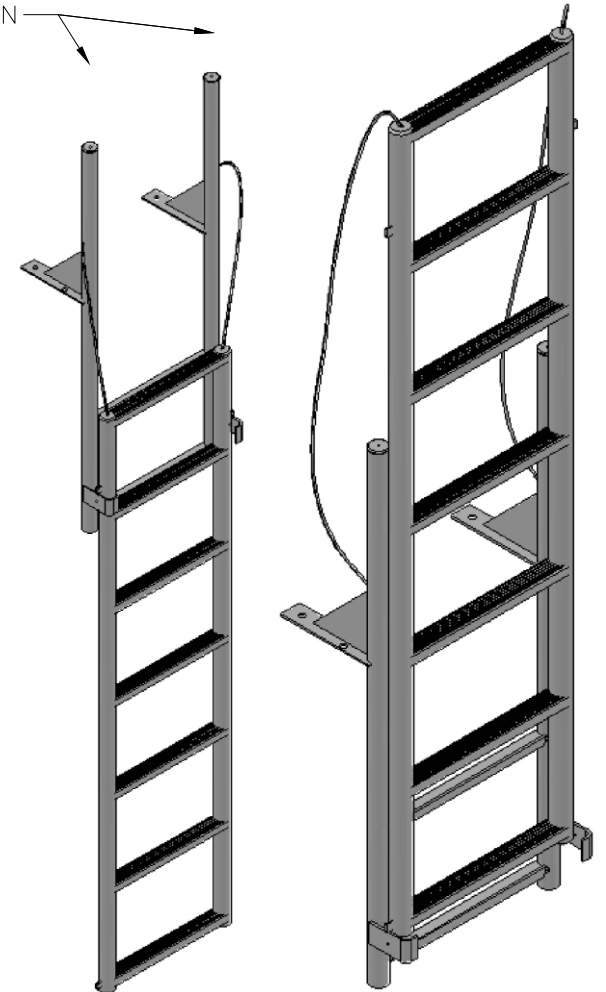
REVISIONS				
ZONE	REV	DESCRIPTION	DATE	APPROVED
NA	A	NEW RELEASE	7/1/2024	RK



1-1/4" SCHEDULE 40 ALUMINUM PIPE



UP AND DOWN POSITIONS



FILE NAME 7-step finger pier ladder assembly.dwg			
CONTRACT NO NA		LADDER-FINGER PIER-7	
DRAWN 3/12/2024			
CHECK			
APPR.			
ISSUED			
SIZE C	FSCM NO -	DWG NO 7_ST_FP_LADDER_ASSY	REV A
SCALE 1:0.987	WEIGHT	SHEET 1 OF 1	

10.10.2024 7-step finger pier ladder assembly.dwg

Roman

4

3

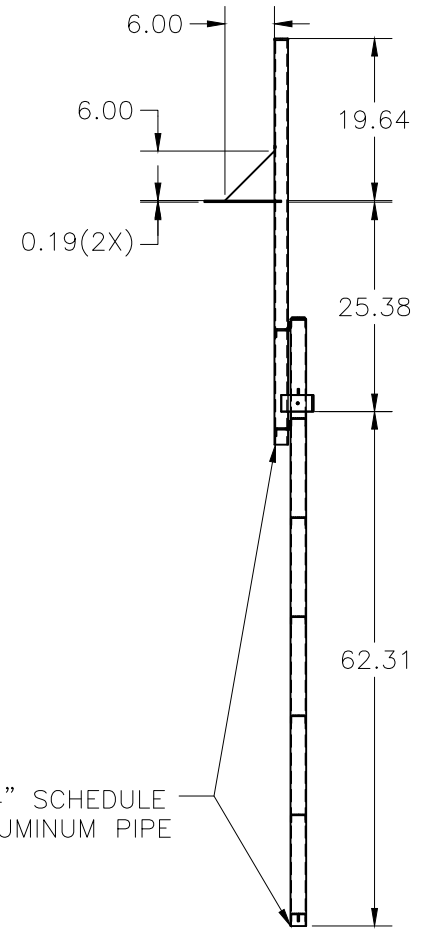
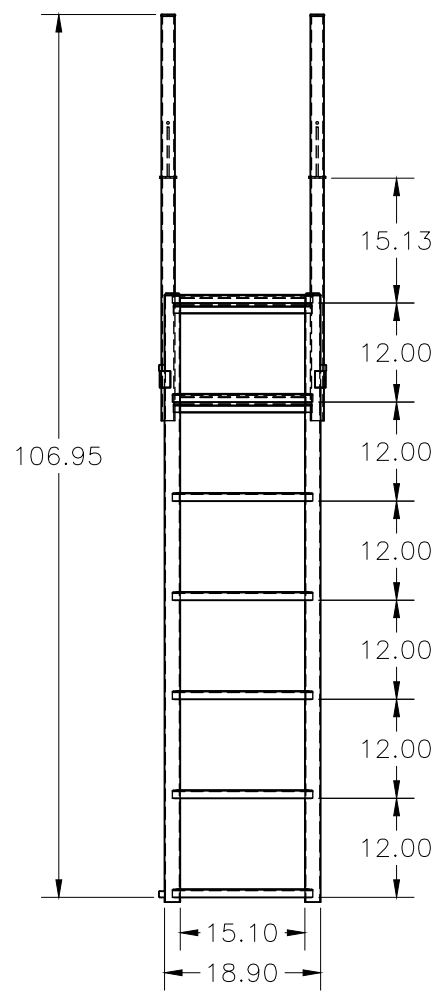
2

1

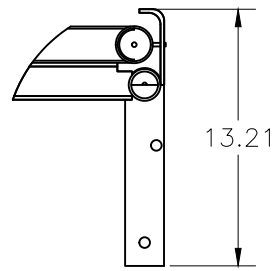
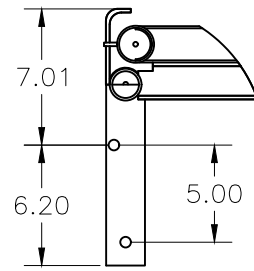
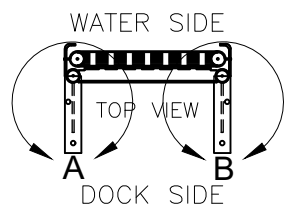
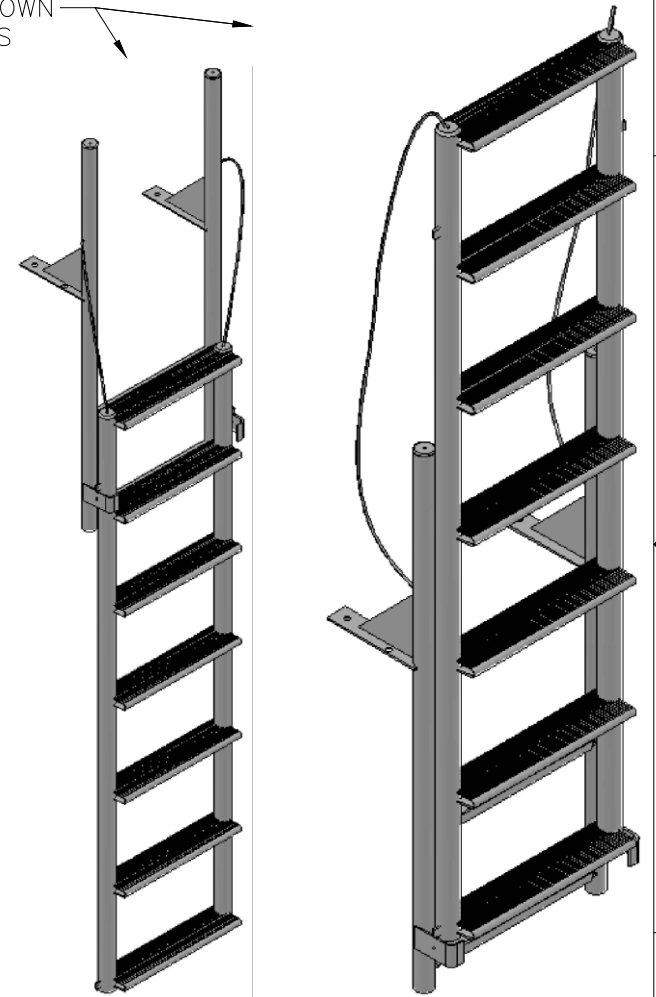
- NOTES:
1. ALL UNITS ARE IN INCHES
 2. MATERIAL AL 6063-T5
 3. SEE INDIVIDUAL PART DRAWINGS FOR ADD'L DIMS

INTERNATIONAL DOCK PRODUCTS, INC.
 Pembroke Park, FL
 DOCKPRODUCTS.COM

REVISIONS				
ZONE	REV	DESCRIPTION	DATE	APPROVED
NA	A	NEW RELEASE	10/21/2024	RK



UP AND DOWN POSITIONS



FILE NAME 7-step wide finger pier ladder assembly.dwg			
CONTRACT NO NA			
DRAWN 3/12/2024			
CHECK			
APPR.			
ISSUED			
SIZE C	FSCM NO -	DWG NO 7_ST_WIDE_FP_LADDER_ASSY	REV A
SCALE 1:0.987		WEIGHT	SHEET 1 OF 1

4

3

2

1

21.10.2024
7-step wide finger pier ladder assembly.dwg

Roman