

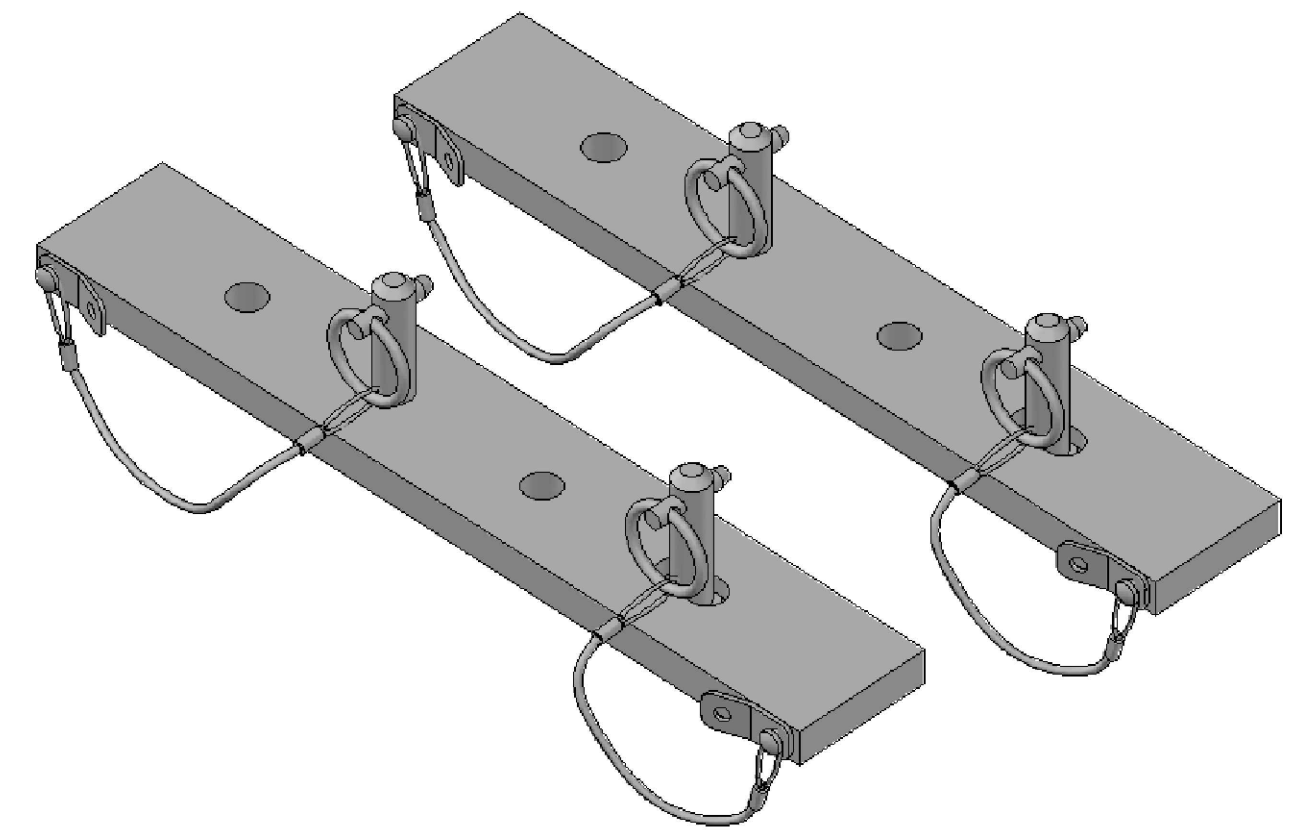
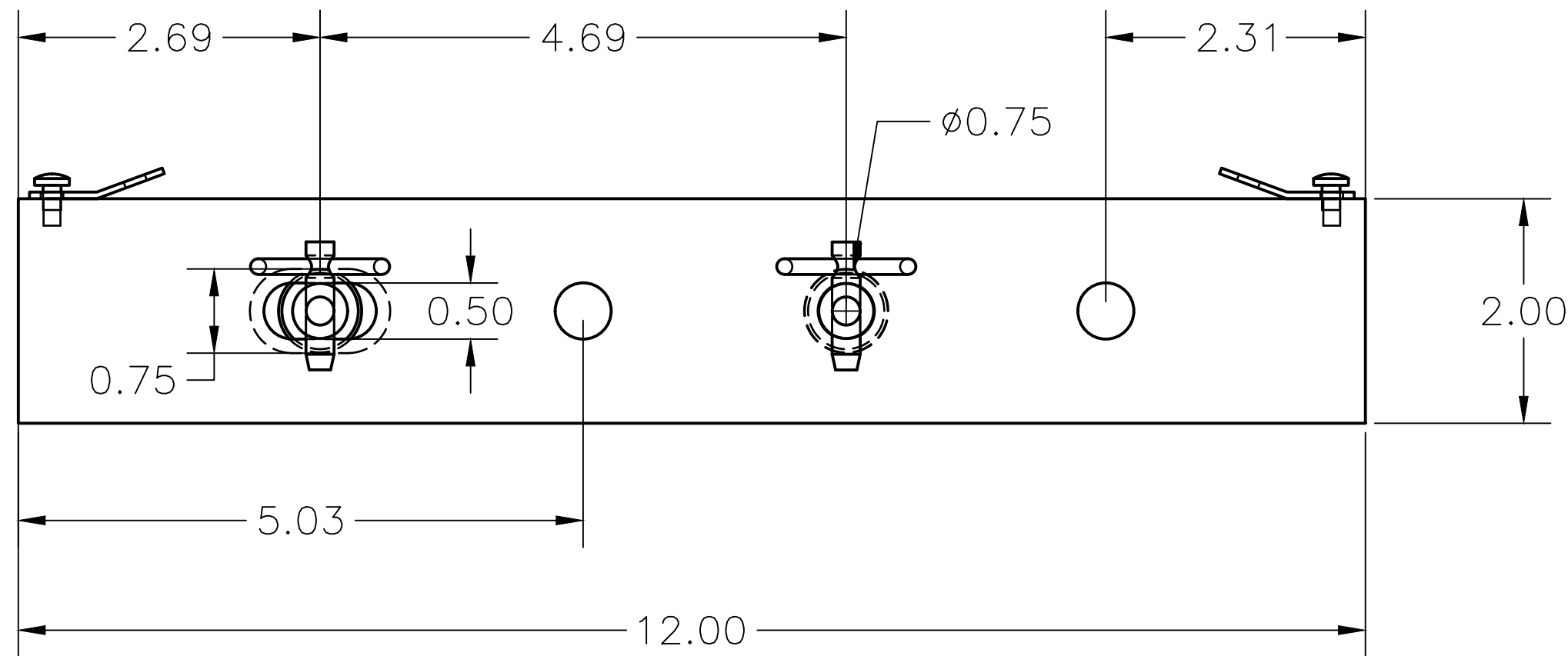
NOTES:

- 1. ALL UNITS ARE IN INCHES
- 2. MATERIAL AL 6061-T6

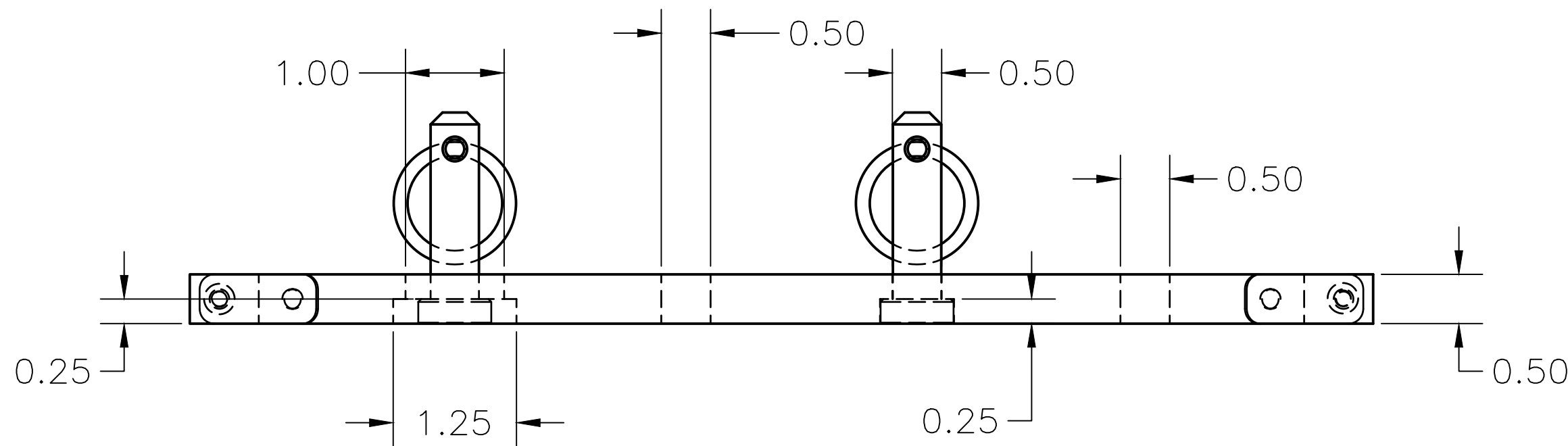
INTERNATIONAL DOCK PRODUCTS, INC.  
 Pembroke Park, FL  
[DOCKPRODUCTS.COM](http://DOCKPRODUCTS.COM)

REVISIONS				
ZONE	REV	DESCRIPTION	DATE	APPROVED
NA	A	NEW RELEASE	10/21/2024	RK

TOP VIEW



SIDE VIEW



FILE NAME QR Ladder Base Bracket_Lanyard.dwg			
CONTRACT NO NA		LADDER PARTS-QUICK RELEASE	
DRAWN 10/11/2024			
CHECK			
APPR.			
ISSUED			
SIZE	FSCM NO	DWG NO	REV
C	-	QR BRACKET - SWING LADDER	A
SCALE 1:0.987		WEIGHT	SHEET 1 OF 1