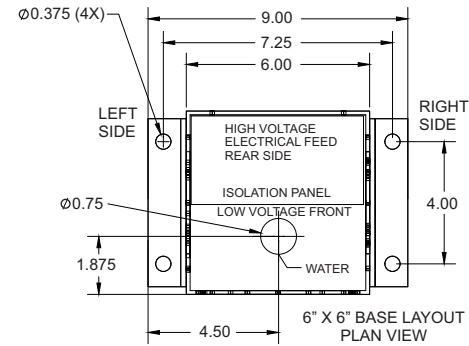
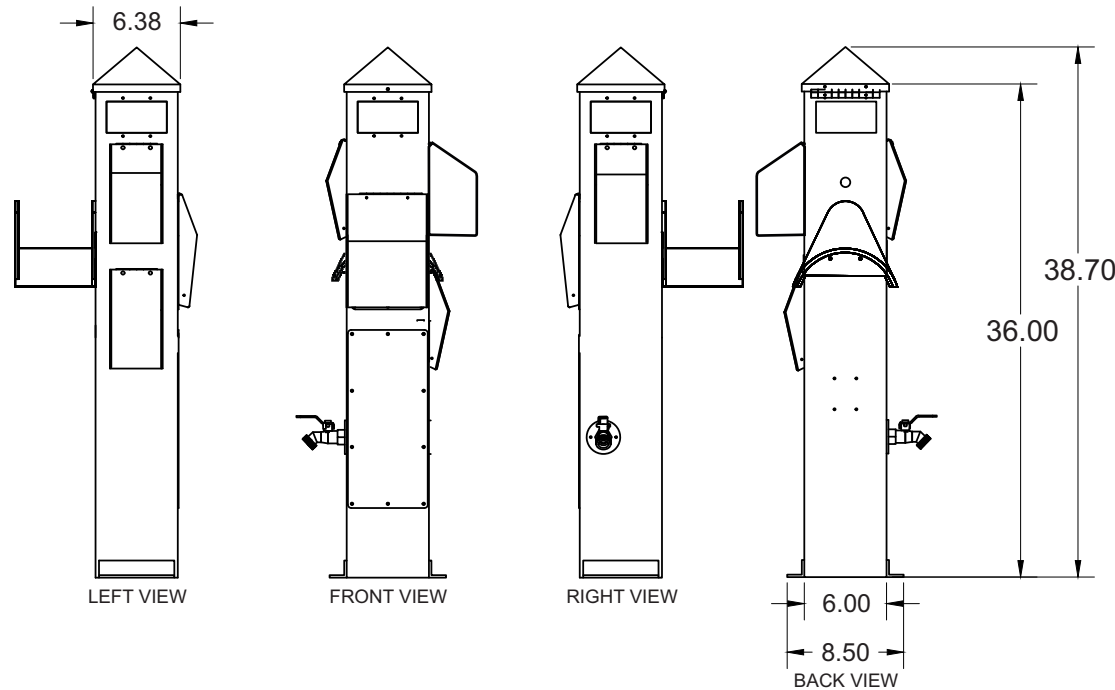
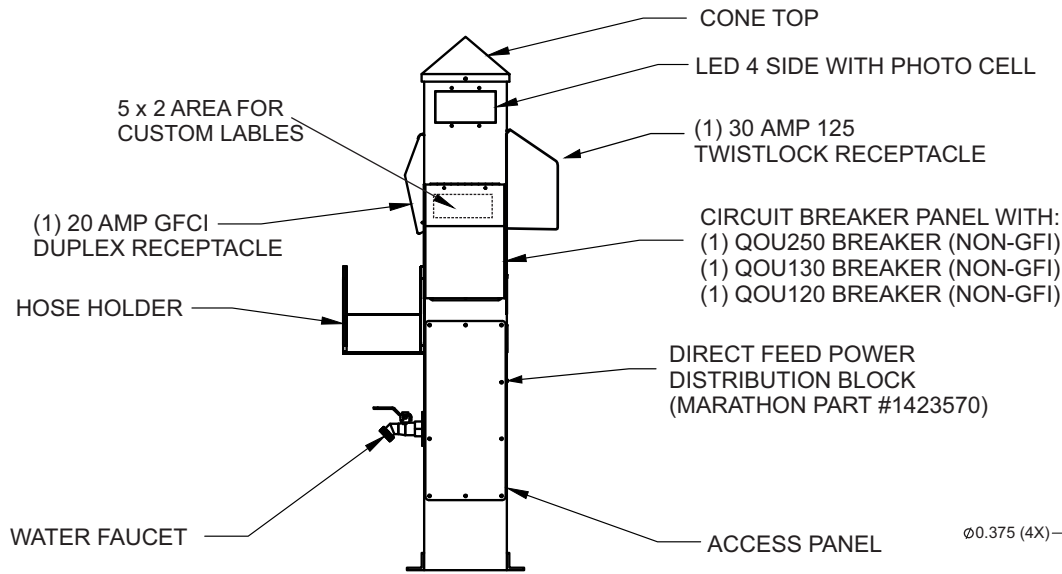


INTERNATIONAL DOCK PRODUCTS, INC.  
 Pembroke Park, FL  
[DOCKPRODUCTS.COM](http://DOCKPRODUCTS.COM)

REVISIONS				
ZONE	REV	DESCRIPTION	DATE	APPROVED
		SPC-36-2A-365-RV-LED		

SPC-36-2A-365-RV-LED

- (1) 30 AMP 125V TWISTLOCK
- (1) 20 AMP GFCI DUPLEX
- (1) WATER FAUCET
- (1) HOSE HOLDER
- DIRECT FEED DISTRIBUTION BLOCK
- LED LIGHT & PHOTOCELL



NOTES:

PEDESTAL FABRICATED FROM 100% ALUMINUM CASING

6 x 6 x 36 x 1/8 INCH

POWDER COATED WHITE TO MARINE SPECIFICATIONS

CONTRACT NO NA	PEDESTAL-SPC-36-2A-RV			
DRAWN 6/24/2024				
CHECK				
APPR.				
ISSUED				
	SIZE	FSCM NO	DWG NO	REV
			SPC-36-2A-RV	A
	SCALE 1:1.0008	WEIGHT	SHEET 1 OF 1	