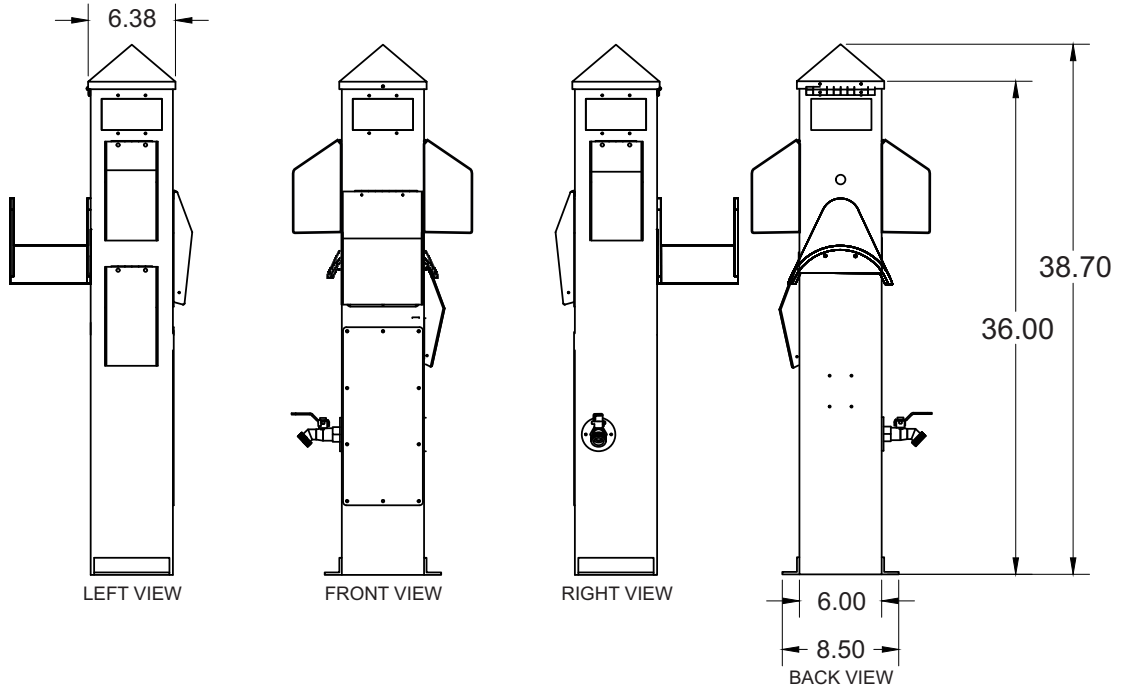
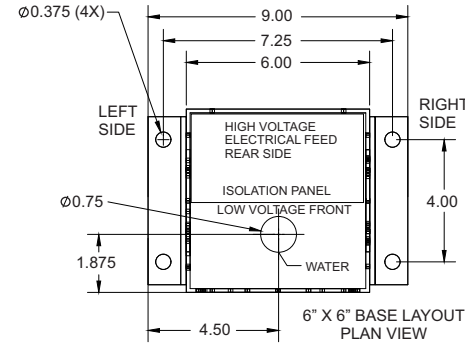
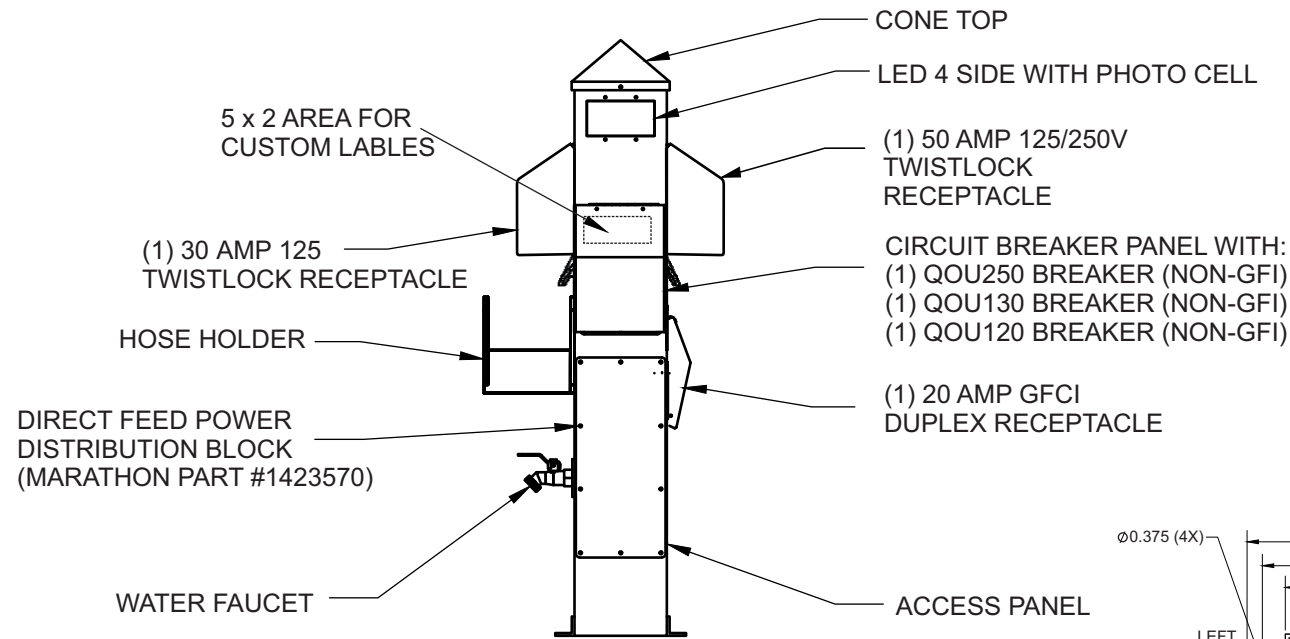


INTERNATIONAL DOCK PRODUCTS, INC.
 Pembroke Park, FL
DOCKPRODUCTS.COM

REVISIONS				
ZONE	REV	DESCRIPTION	DATE	APPROVED
		SPC-36-3A-305-RV-LED		

SPC-36-3A-305-RV-LED
 (1) 50AMP 125/250V TWISTLOCK
 (1) 30 AMP 125V TWISTLOCK
 (1) 20 AMP GFCI DUPLEX
 (1) HOSE FAUCET
 (1) HOSE HOLDER
 DIRECT FEED DISTRIBUTION BLOCK
 LED LIGHT & PHOTOCELL



NOTES:
 PEDESTAL FABRICATED FROM 100% ALUMINUM CASING
 6 x 6 x 36 x 1/8 INCH
 POWDER COATED WHITE TO MARINE SPECIFICATIONS

CONTRACT NO NA	PEDESTAL-SPC-36-3A-RV			
DRAWN				
CHECK				
APPR.				
ISSUED				
	SIZE FSCM NO	DWG NO	SPC-36-3A-RV	
	SCALE 1:1.0008	WEIGHT	SHEET 1 OF 1	