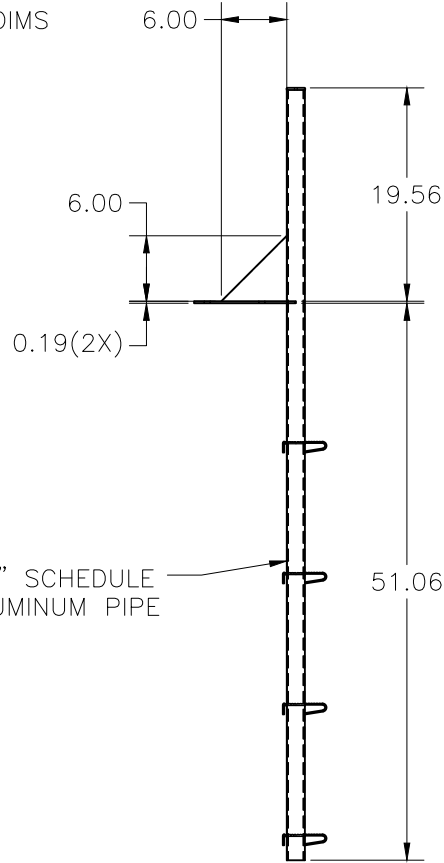
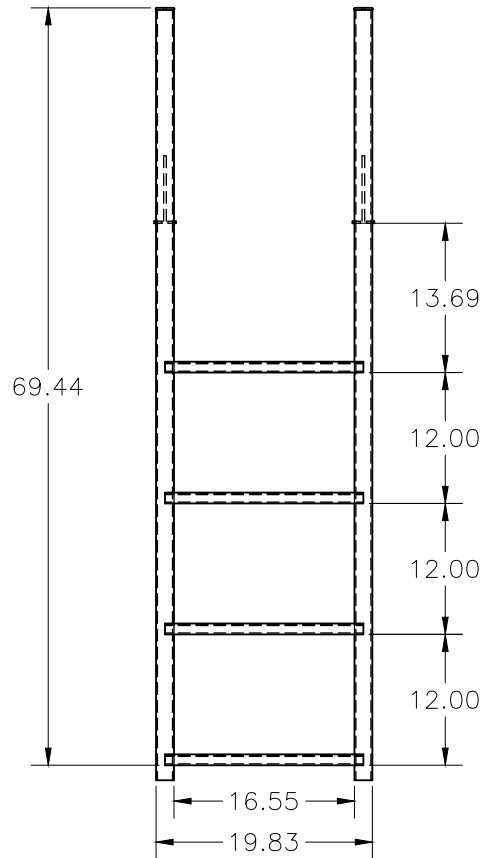
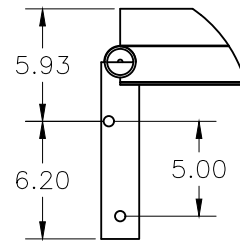
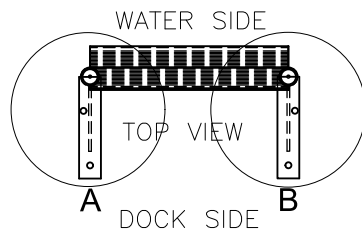
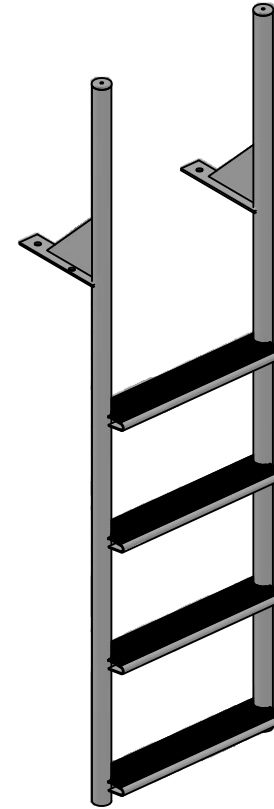


- NOTES:
1. ALL UNITS ARE IN INCHES
 2. MATERIAL AL 6063-T5
 3. SEE INDIVIDUAL PART DRAWINGS FOR ADD'L DIMS

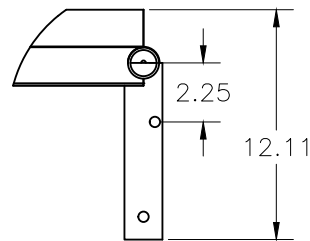
INTERNATIONAL DOCK PRODUCTS, INC. Pembroke Park, FL DOCKPRODUCTS.COM				
REVISIONS				
ZONE	REV	DESCRIPTION	DATE	APPROVED
NA	A	NEW RELEASE	6/2/2025	RK



1-1/4" SCHEDULE 40 ALUMINUM PIPE



DETAIL A



DETAIL B



FILE NAME 4-step wide finger pier ladder assembly - straight.dwg			
CONTRACT NO NA		LADDER-FINGER PIER-STRAIGHT-WIDE-4	
DRAWN 3/12/2024		CHECK	
APPR.		ISSUED	
SIZE C	FSCM NO -	DWG NO 4_ST_WIDE_FP_STR_LADDER_ASSY	REV A
SCALE 1:0.987		WEIGHT	SHEET 1 OF 1

03.06.2025 4-step wide finger pier ladder assembly - straight.dwg

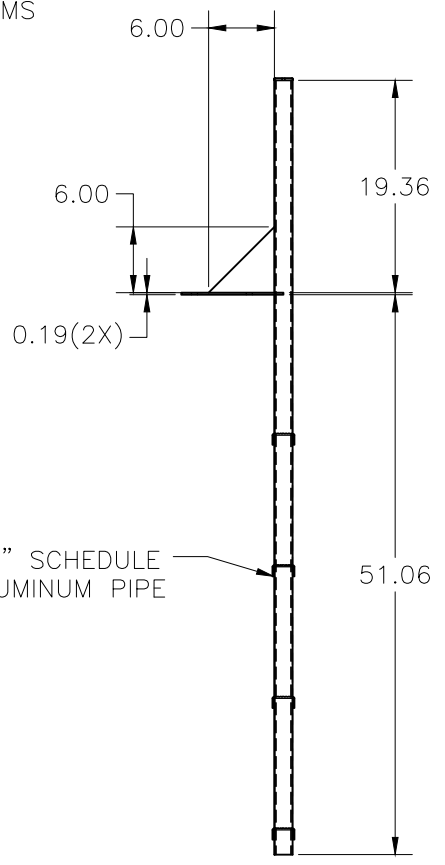
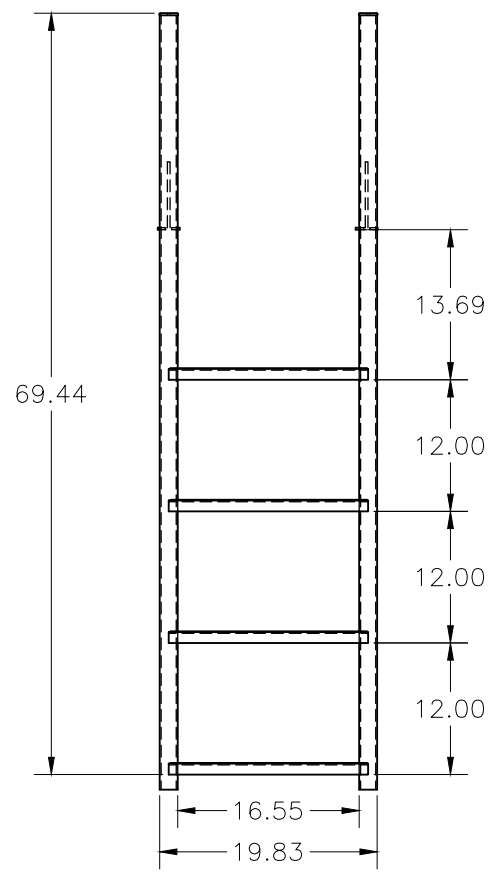
Roman

19.05.2025 4-step_finger_pier_ladder_assembly - straight.dwg

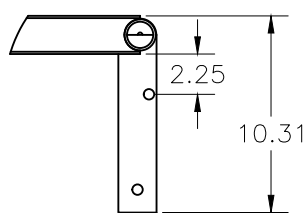
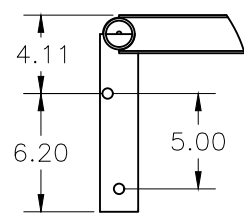
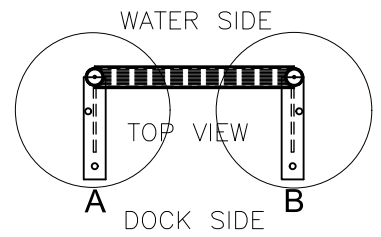
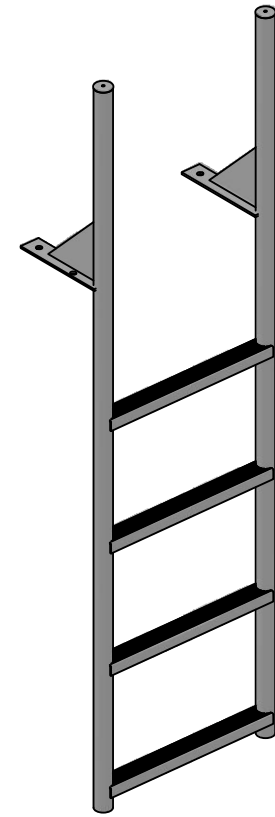
- NOTES:
1. ALL UNITS ARE IN INCHES
 2. MATERIAL AL 6063-T5
 3. SEE INDIVIDUAL PART DRAWINGS FOR ADD'L DIMS

INTERNATIONAL DOCK PRODUCTS, INC.
 Pembroke Park, FL
 DOCKPRODUCTS.COM

REVISIONS				
ZONE	REV	DESCRIPTION	DATE	APPROVED
NA	A	NEW RELEASE	5/19/2025	RK



1-1/4" SCHEDULE 40 ALUMINUM PIPE



DETAIL A

DETAIL B



FILE NAME 4-step_finger_pier_ladder_assembly - straight.dwg			
CONTRACT NO NA		LADDER-FINGER PIER-STRAIGHT-4	
DRAWN 3/12/2024			
CHECK			
APPR.			
ISSUED			
SIZE C	FSCM NO -	DWG NO 4_ST_FP_STR_LADDER_ASSY	REV A
SCALE 1:0.987	WEIGHT	SHEET 1 OF 1	

Roman