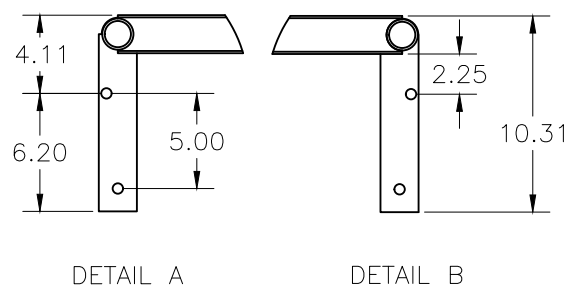
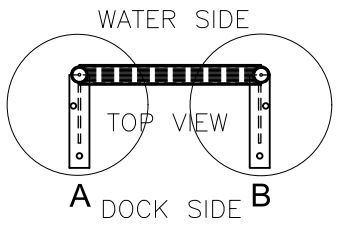
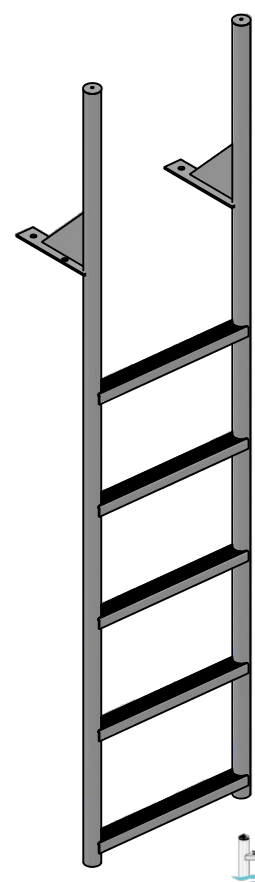
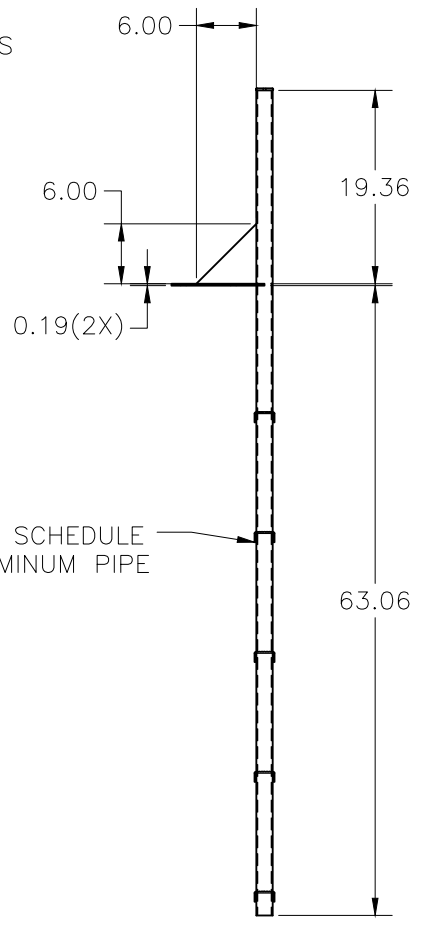
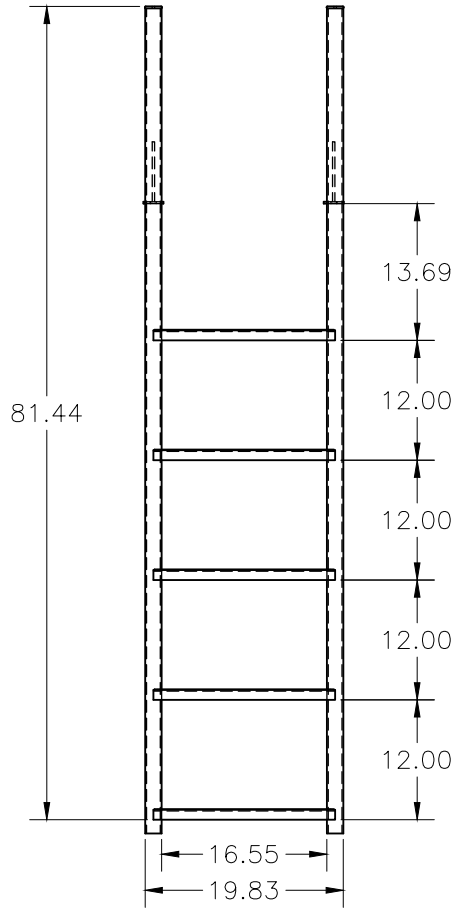


19.05.2025 Roman

NOTES:
1. ALL UNITS ARE IN INCHES
2. MATERIAL AL 6063-T5
3. SEE INDIVIDUAL PART DRAWINGS FOR ADD'L DIMS

INTERNATIONAL DOCK PRODUCTS, INC. Pembroke Park, FL DOCKPRODUCTS.COM				
REVISIONS				
ZONE	REV	DESCRIPTION	DATE	APPROVED
NA	A	NEW RELEASE	5/19/2025	RK

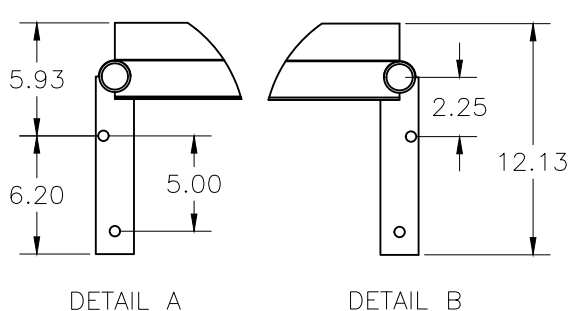
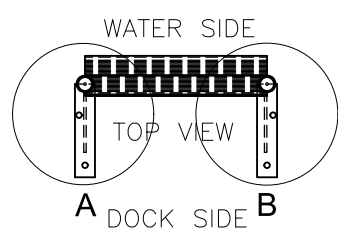
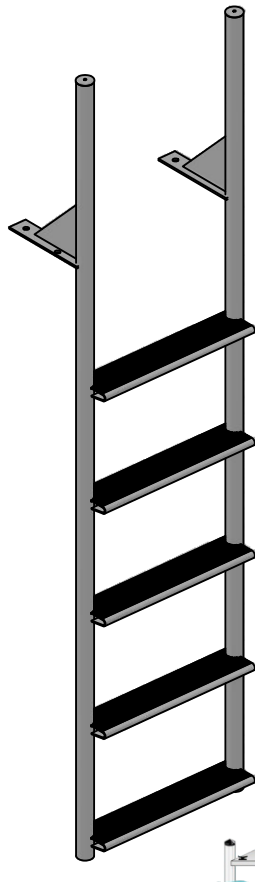
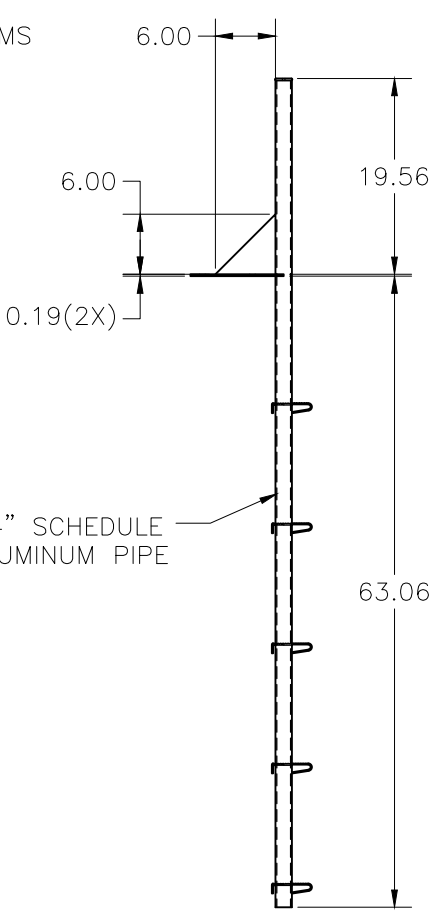
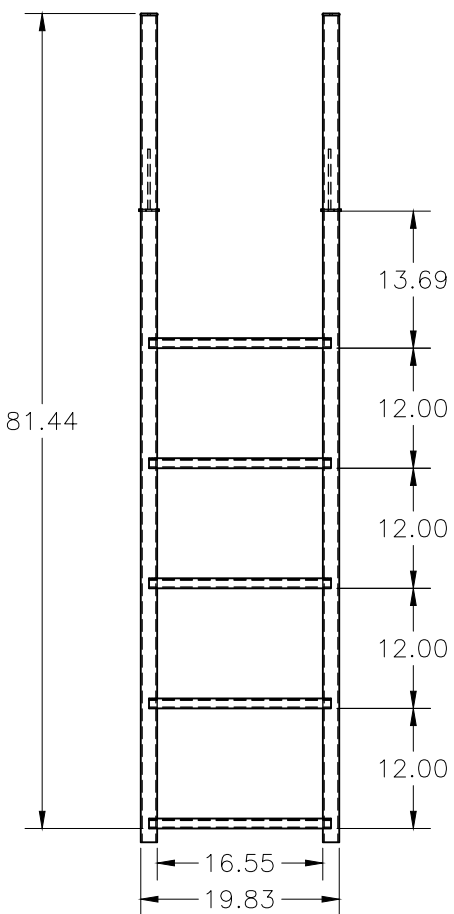


FILE NAME 5-step finger pier ladder assembly - straight.dwg				
CONTRACT NO NA				
DRAWN 3/12/2024				
CHECK				
APPR.				
ISSUED				
SIZE	FSCM NO	DWG NO	REV	
C	-	5_ST_FP_STR_LADDER_ASSY	A	
SCALE	1:0.987	WEIGHT	SHEET 1 OF 1	

03.06.2025 Roman

NOTES:
1. ALL UNITS ARE IN INCHES
2. MATERIAL AL 6063-T5
3. SEE INDIVIDUAL PART DRAWINGS FOR ADD'L DIMS

INTERNATIONAL DOCK PRODUCTS, INC. Pembroke Park, FL DOCKPRODUCTS.COM				
REVISIONS				
ZONE	REV	DESCRIPTION	DATE	APPROVED
NA	A	NEW RELEASE	6/2/2025	RK



FILE NAME 5-step wide finger pier ladder assembly - straight.dwg				
CONTRACT NO NA				
DRAWN 3/12/2024				
CHECK				
APPR.				
ISSUED				
SIZE	FSCM NO	DWG NO	REV	
C	-	5_ST_WIDE_FP_STR_LADDER_ASSY	A	
SCALE	1:0.987	WEIGHT	SHEET 1 OF 1	