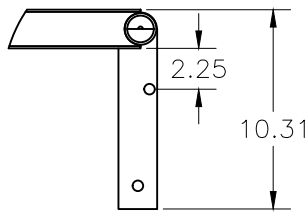
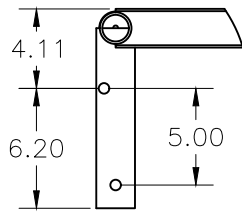
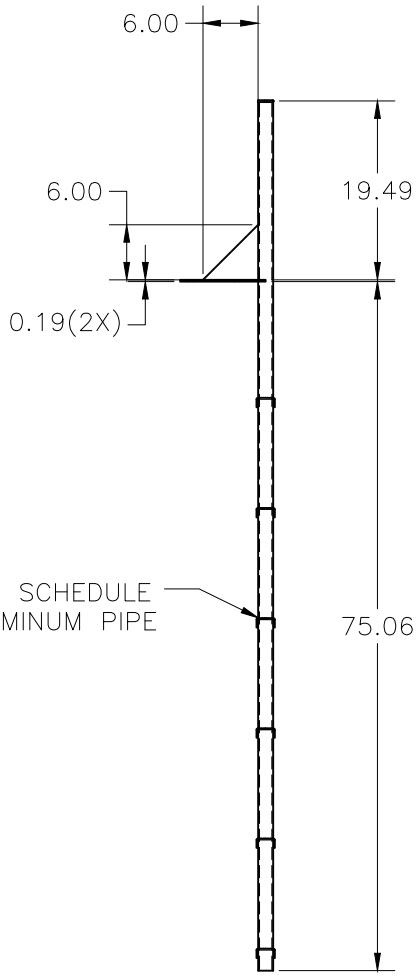
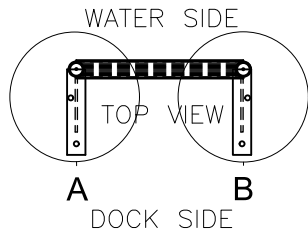
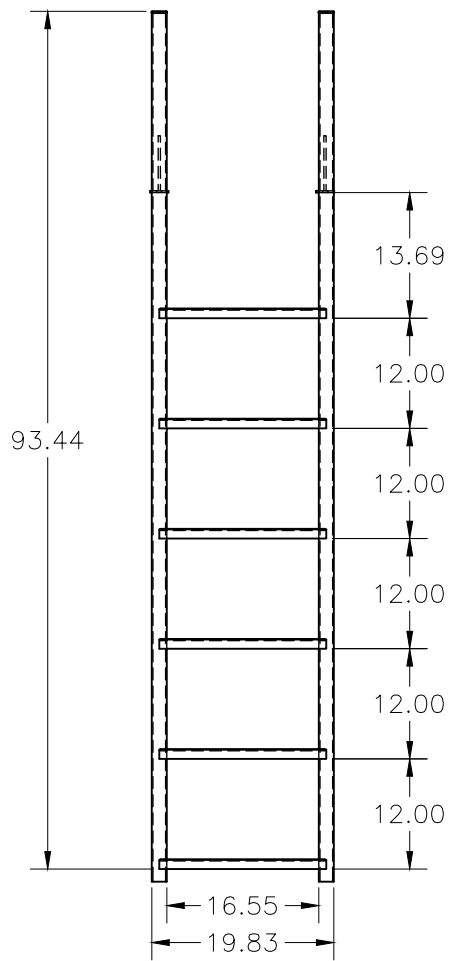


19.05.2025
6-step finger pier ladder assembly - straight.dwg
Roman

- NOTES:
 1. ALL UNITS ARE IN INCHES
 2. MATERIAL AL 6063-T5
 3. SEE INDIVIDUAL PART DRAWINGS FOR ADD'L DIMS

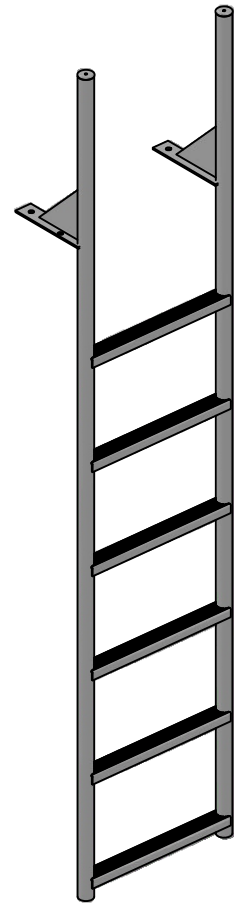


DETAIL A

DETAIL B

INTERNATIONAL DOCK PRODUCTS, INC.
 Pembroke Park, FL
 DOCKPRODUCTS.COM

REVISIONS				
ZONE	REV	DESCRIPTION	DATE	APPROVED
NA	A	NEW RELEASE	5/19/2025	RK



FILE NAME 6-step finger pier ladder assembly - straight.dwg				
CONTRACT NO NA		LADDER-FINGER PIER-STRAIGHT-6		
DRAWN 3/12/2024				
CHECK				
ISSUED				
SIZE C	FSCM NO -	DWG NO 6_ST_FP_STR_LADDER_ASSY	REV A	
SCALE 1:0.987		WEIGHT	SHEET 1 OF 1	

4

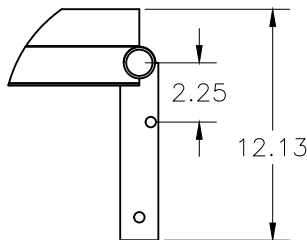
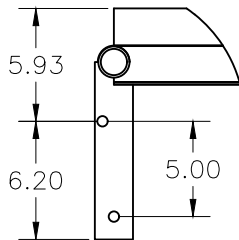
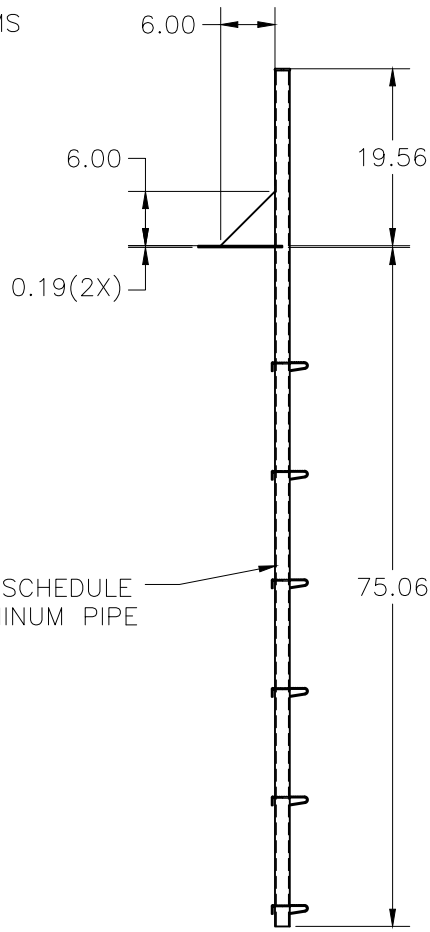
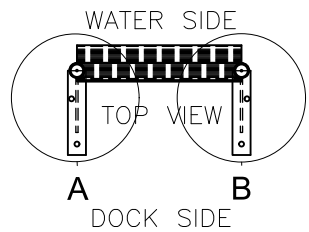
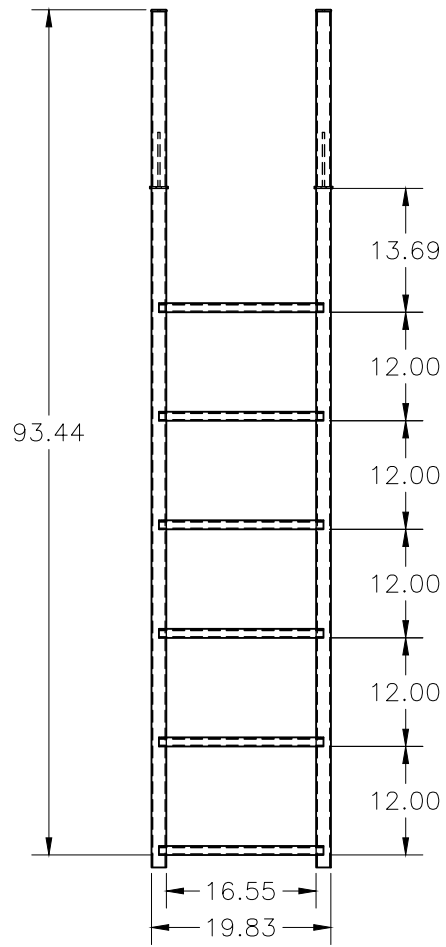
3

2

1

03.06.2025
6-step wide finger pier ladder assembly - straight.dwg
Roman

- NOTES:
 1. ALL UNITS ARE IN INCHES
 2. MATERIAL AL 6063-T5
 3. SEE INDIVIDUAL PART DRAWINGS FOR ADD'L DIMS

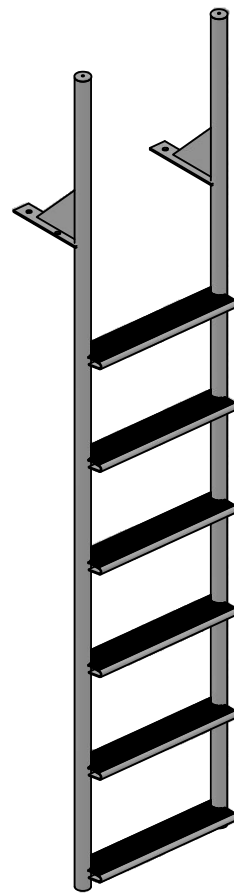


DETAIL A

DETAIL B

INTERNATIONAL DOCK PRODUCTS, INC.
 Pembroke Park, FL
 DOCKPRODUCTS.COM

REVISIONS				
ZONE	REV	DESCRIPTION	DATE	APPROVED
NA	A	NEW RELEASE	6/2/2025	RK



FILE NAME 6-step wide finger pier ladder assembly - straight.dwg				
CONTRACT NO NA		LADDER-FINGER PIER-STRAIGHT-WIDE-6		
DRAWN 3/12/2024				
CHECK				
ISSUED				
SIZE C	FSCM NO -	DWG NO 6_ST_WIDE_FP_STR_LADDER_ASSY	REV A	
SCALE 1:0.987		WEIGHT	SHEET 1 OF 1	

4

3

2

1