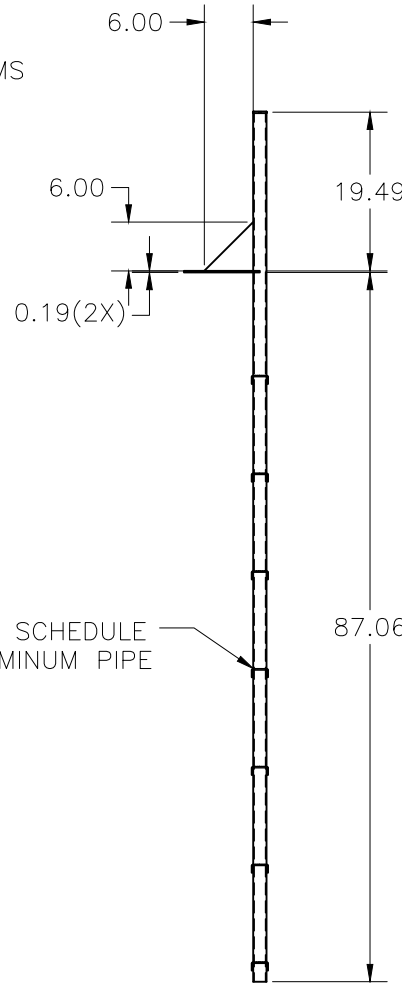
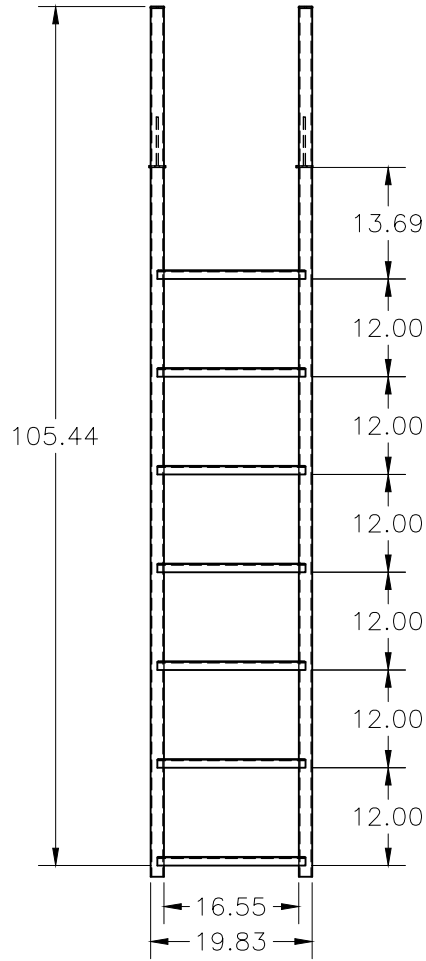


NOTES:

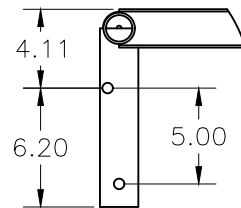
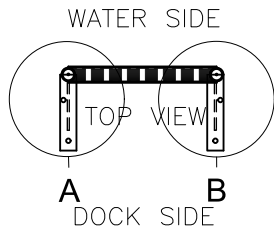
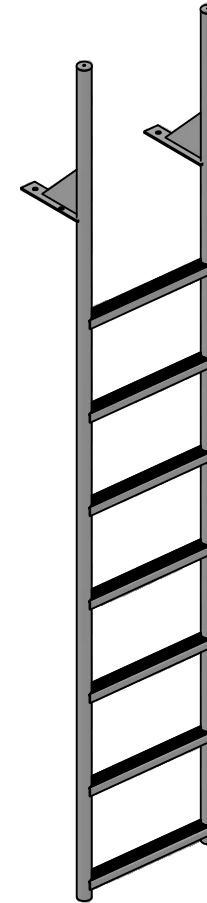
1. ALL UNITS ARE IN INCHES
2. MATERIAL AL 6063-T5
3. SEE INDIVIDUAL PART DRAWINGS FOR ADD'L DIMS

INTERNATIONAL DOCK PRODUCTS, INC.
 Pembroke Park, FL
DOCKPRODUCTS.COM

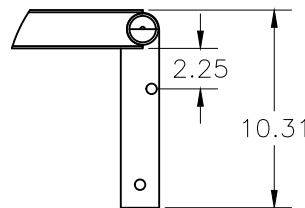
REVISIONS				
ZONE	REV	DESCRIPTION	DATE	APPROVED
NA	A	NEW RELEASE	5/19/2025	RK



1-1/4" SCHEDULE 40 ALUMINUM PIPE



DETAIL A



DETAIL B



FILE NAME 7-step finger pier ladder assembly - straight.dwg			
CONTRACT NO NA			
DRAWN 3/12/2024			
CHECK			
APPR.			
ISSUED			
SIZE C	FSCM NO -	DWG NO 7_ST_FP_STR_LADDER_ASSY	REV A
SCALE 1:0.987		WEIGHT	SHEET 1 OF 1

19.05.2025
7-step_finger_pier_ladder_assembly - straight.dwg

D
C
B
A

D
C
B
A

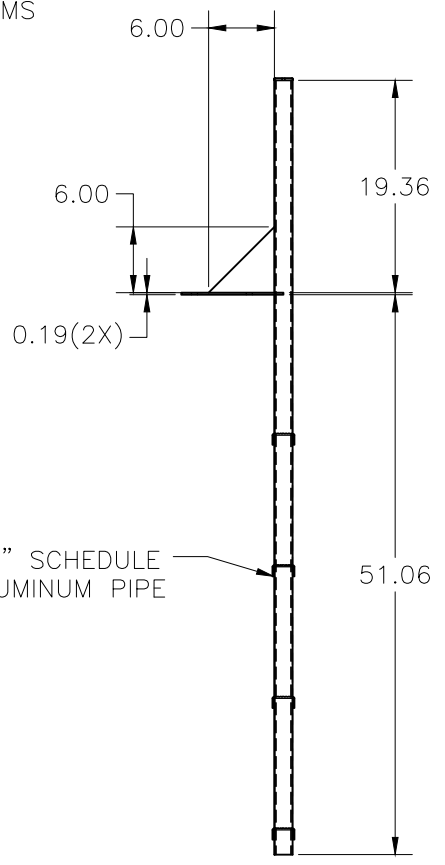
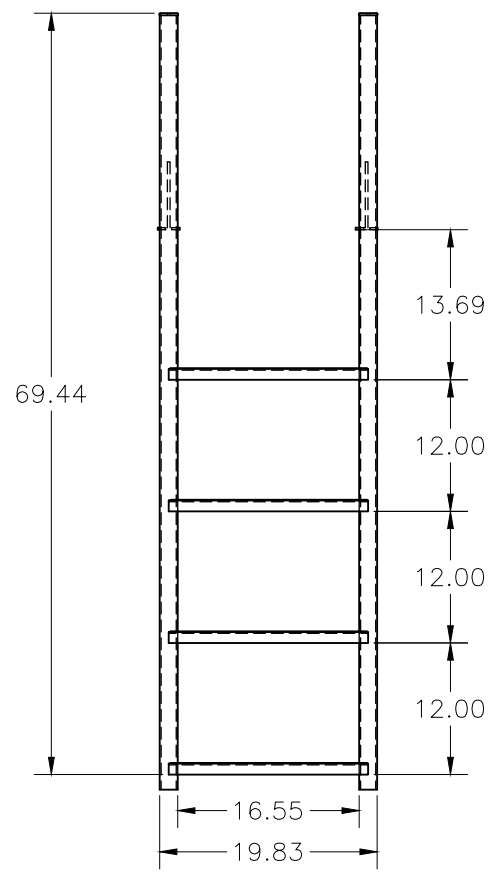
4 | 3 | 2 | 1

19.05.2025 4-step_finger_pier_ladder_assembly - straight.dwg

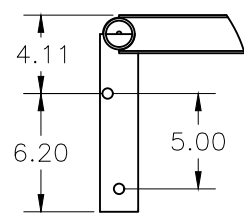
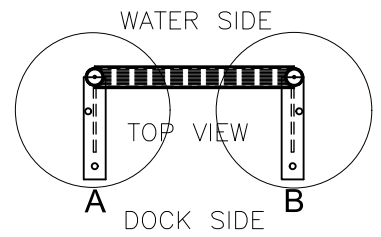
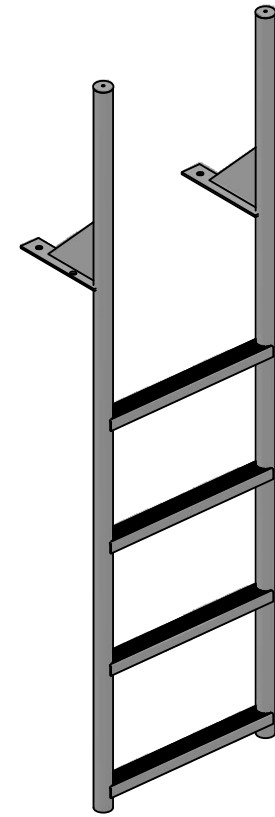
- NOTES:
1. ALL UNITS ARE IN INCHES
 2. MATERIAL AL 6063-T5
 3. SEE INDIVIDUAL PART DRAWINGS FOR ADD'L DIMS

INTERNATIONAL DOCK PRODUCTS, INC.
 Pembroke Park, FL
 DOCKPRODUCTS.COM

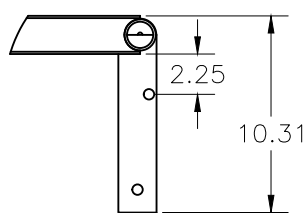
REVISIONS				
ZONE	REV	DESCRIPTION	DATE	APPROVED
NA	A	NEW RELEASE	5/19/2025	RK



1-1/4" SCHEDULE 40 ALUMINUM PIPE



DETAIL A



DETAIL B



FILE NAME 4-step_finger_pier_ladder_assembly - straight.dwg			
CONTRACT NO NA		LADDER-FINGER PIER-STRAIGHT-4	
DRAWN 3/12/2024			
CHECK			
APPR.			
ISSUED			
SIZE C	FSCM NO -	DWG NO 4_ST_FP_STR_LADDER_ASSY	REV A
SCALE 1:0.987	WEIGHT	SHEET 1 OF 1	

Roman